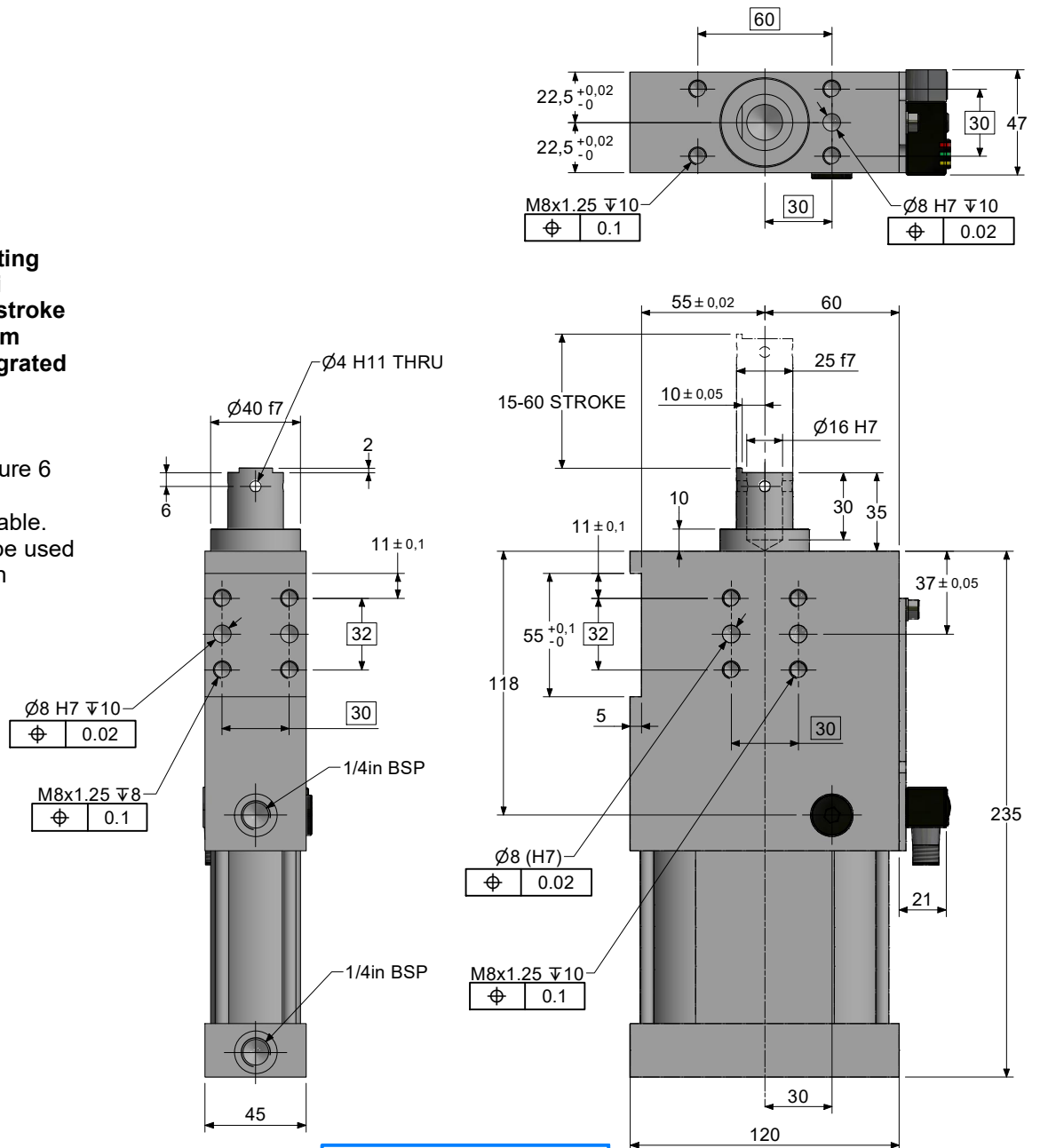




**Retractable locating pin, 63 bore, anti rotating, 15 - 60 stroke adjustable in 5mm increments, integrated sensing, side mounting.**

Working air pressure 6 bar max  
 Dry air is permissible.  
 Restrictors must be used in conjunction with cylinder (not included)



### Sensing Options

- ES1 Electric Switches
- ES3 Electric Switches (Rev)
- NS No sensors

### Shaft Positions

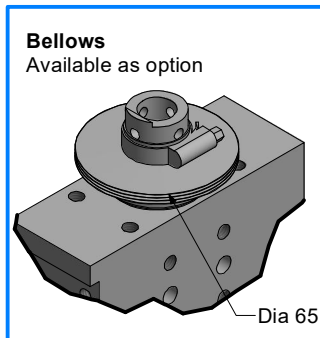
S10

### Stroke

15 - 60 mm in 5mm steps

### Weight

3.4Kg



Tensile Force: 1250N at 5 bar  
 Static Side Load: 200N max  
 Pressing force: 1500N at 5 bar  
 Tolerance \* For dowel holes ±0.02  
 Tolerance \* For screw holes ±0.1

### To Order:

**XLPA63-2-ES3-40-S10-BW**

Sensor  
 ES1, ES3, NS

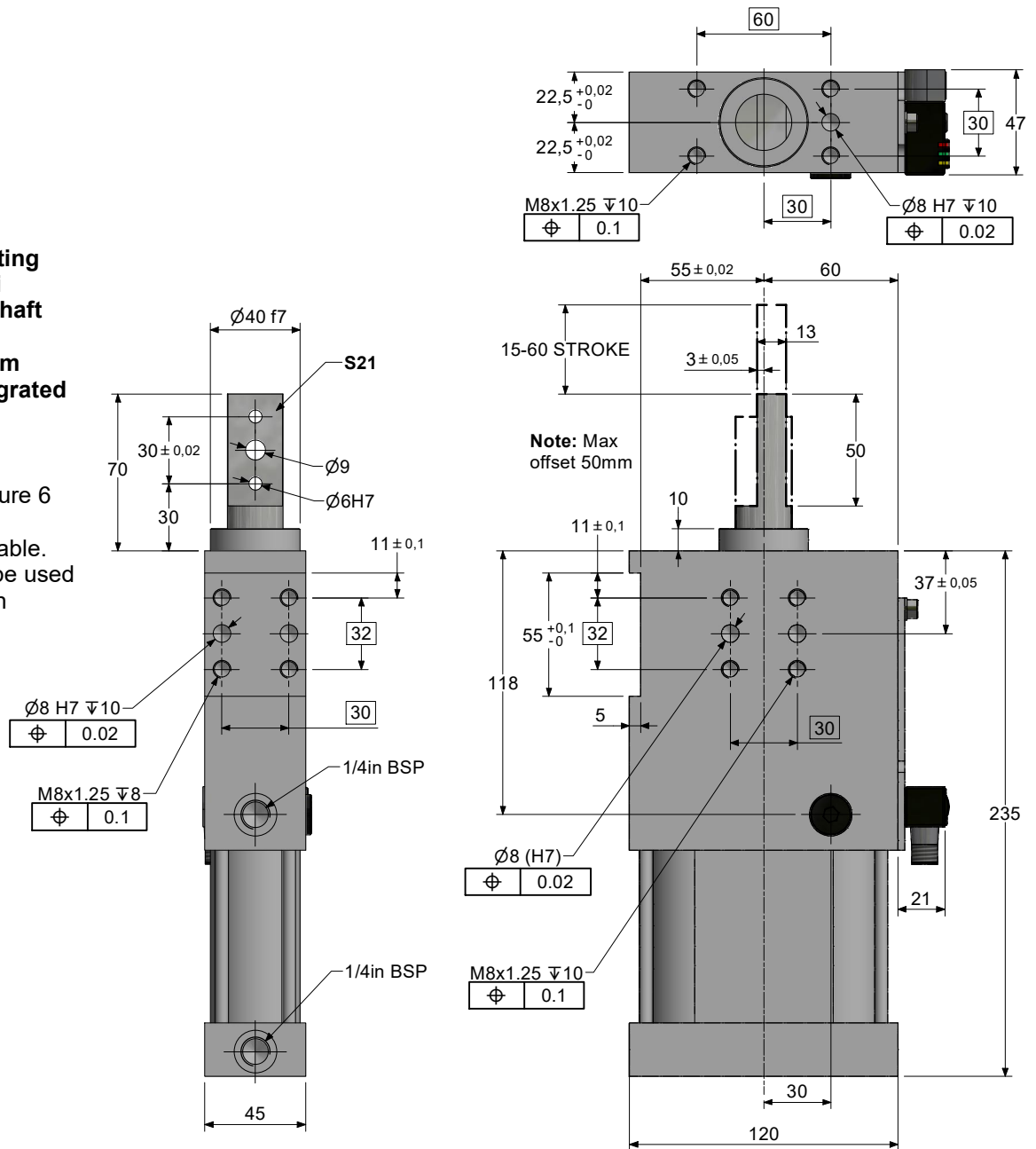
Stroke  
 15 - 60  
 in 5mm increments

Bellows  
 - without bellows  
 BW with bellows



**Retractable locating pin, 63 bore, anti rotating, offset shaft 15 - 60 stroke adjustable in 5mm increments, integrated sensing, side mounting.**

Working air pressure 6 bar max  
Dry air is permissible.  
Restricters must be used in conjunction with cylinder (not included)



### Sensing Options

- ES1 Electric Switches
- ES3 Electric Switches (Rev)
- NS No sensors

### Shaft Positions

- S21, S22, S23, S24

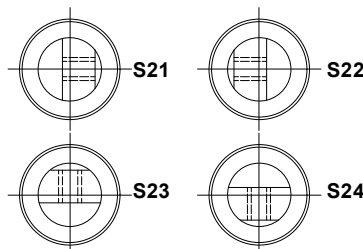
### Stroke

- 15 - 45 mm in 5mm steps & 60mm

### Weight

- 3.5Kg

### Pin Position



Tensile Force: 1250N at 5 bar  
Static Side Load: 200N max  
Pressing force: 1500N at 5 bar  
Tolerance \* For dowel holes ±0.02  
Tolerance \* For screw holes ±0.1

### To Order: XLPA63-2-ES3-40-S21

Sensor  
ES1, ES3, NS

Stroke  
15 - 45  
in 5mm increments  
& 60mm

Pin Position  
S21, S22,  
S23, S24