



Hand Applied Underbody Clamp

Pin Sizes (X)

10 to 25mm diameter
Standard tolerance - 0.1, - 0.15
(Custom sizes available upon request)

Panel Gap (Z)

0-4mm, adjustable in 0.5mm increments using shims.
(Custom sizes available upon request)

Reversible Hook.

Hook configurable in two positions.
Factory set, specify when ordering.
1 - Hook facing away from handle
2 - Hook facing towards handle

Small Compact Size.

Overall unit height is 155mm with a
50mm square body. Can be either
side or base mounted.

Sensing Options.

Available with or without sensor.
ES1 - Electric Switches
ES3 - Electric Switches (Reverse)
NS - No Switch

Sensor Position.

Sensor available in two positions.
R - Right hand sensor position
L - Left hand sensor position
Can be swapped easily by user.

Models & Part Codes.

Contact us with your custom
Requirements, pin size,
Panel gap and any
Special requirements
and we will create
model and part code.

Weight: 1.268 kg

12mm Pin



Model Shown: XPCB-12-1-ES1-L

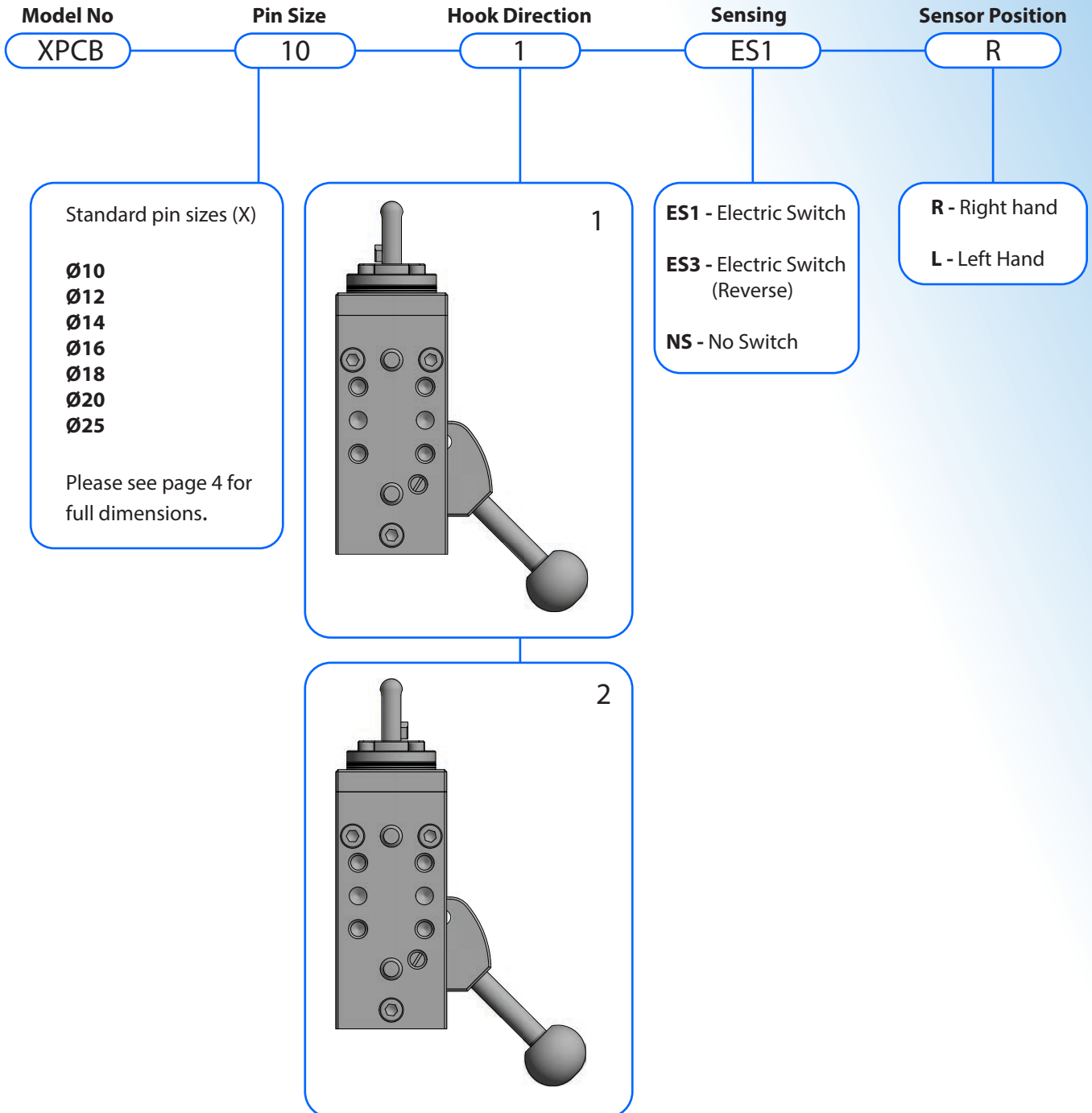
UNDERBODY CLAMP

XPCB



Ordering Code:

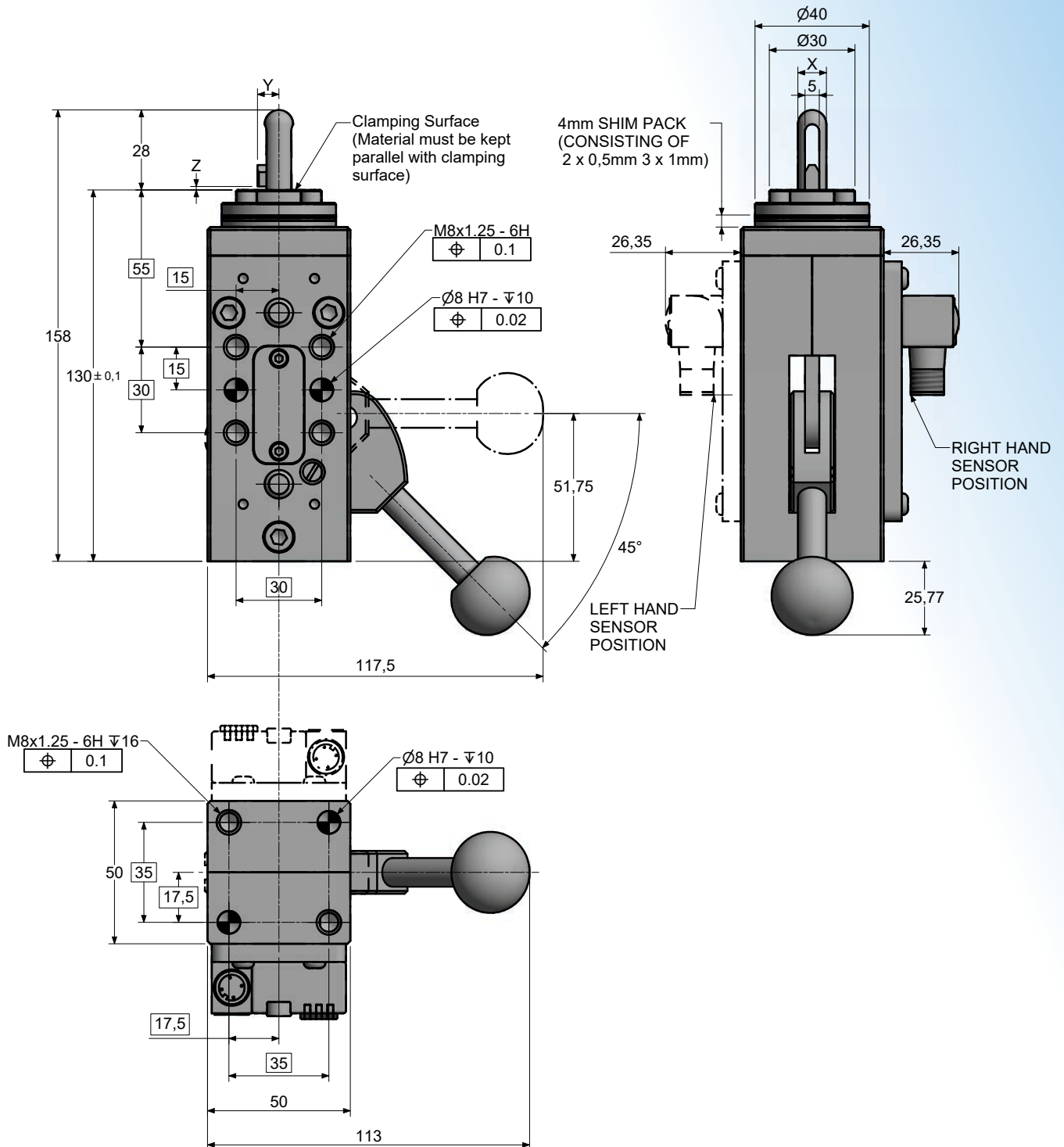
Example Code



Dimensions and technical information is subject to change without notice



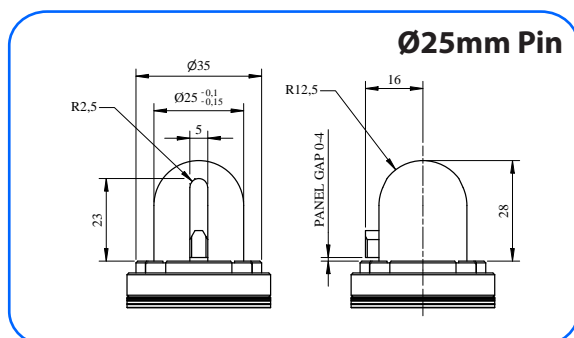
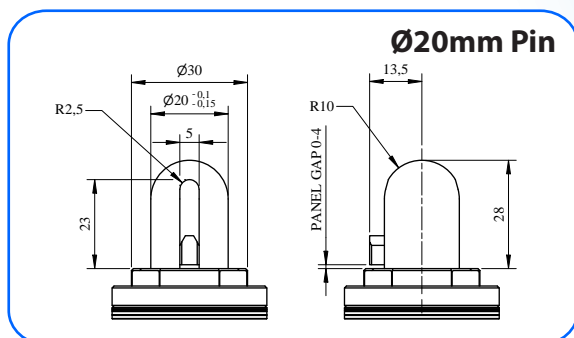
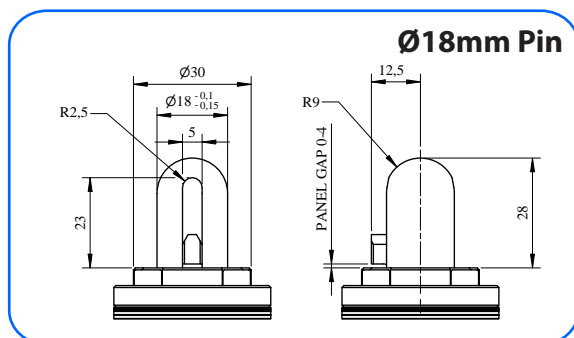
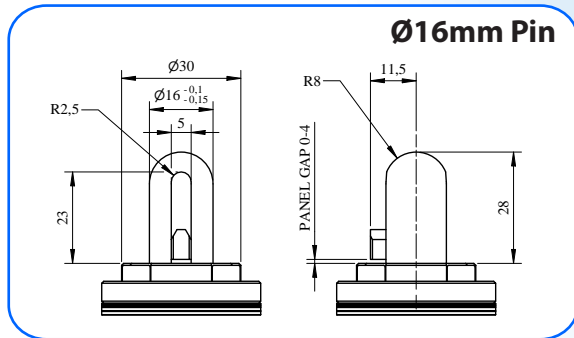
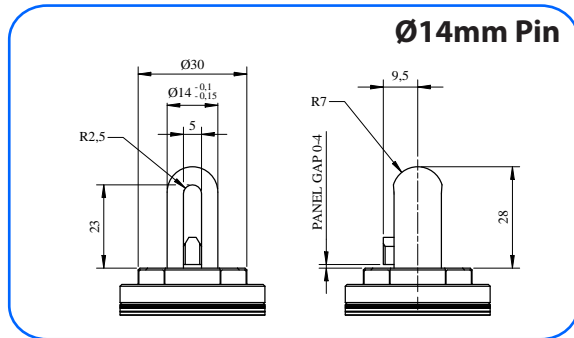
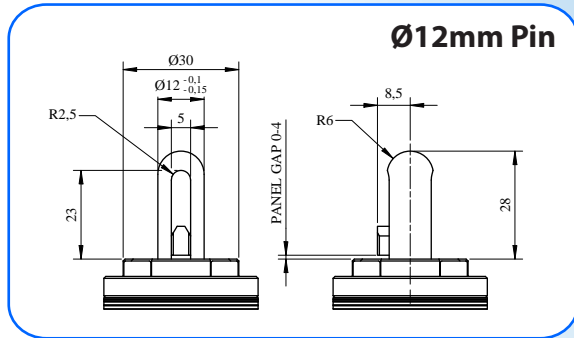
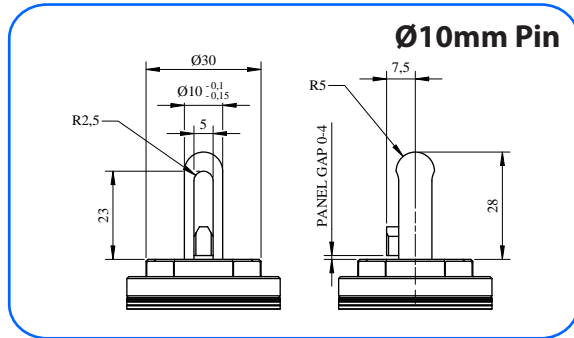
Dimensions and Technical Information



Dimensions and technical information is subject to change without notice



Dimensions and Technical Information



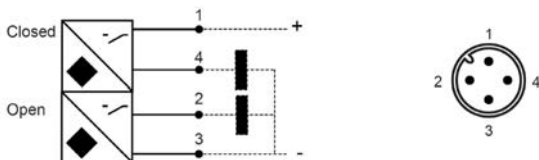


The switch assembly can be swapped between RH & LH easily by the operator.

Remove (4x) M4 x 16 button head screws to remove switch assembly.

One blanking cover is supplied with each clamp, always fit on opposite side to switch assembly.

Electrical connection



ES1 Inductive switch

Pin 4 (I sensor) - clamp closed

Pin 2 (II sensor) - clamp open

ES3 Inductive switch

Pin 4 (I sensor) - clamp open

Pin 2 (II sensor) - clamp closed

Technical data for switch

| | |
|-----------------------------|----------------|
| Operating voltage | 10 ... 30 V DC |
| Operating current | 0 ... 100 mA |
| Switching frequency | 0 ... 100 Hz |
| No-load supply current | ≤ 15 mA |
| Voltage drop | ≤ 3 V |
| Weld field test limit (AC) | 100 mT |
| Weld field test limit (DC) | 100 mT |
| Short circuit protection | Yes |
| Reverse polarity protection | Yes |

| | |
|---|---------------------------------|
| LED(s) | |
| Open | Red |
| Closed | Yellow |
| Supply voltage | Green |
| Electrical connector | Device connector M12 x 1, 4-pin |
| Housing Material | PBT, PA6 + GD-ZN AL4 |
| Cable Amplifier - Satellite - 90mm, PUR (non-halogenated) | |