



Hand Applied Underbody Clamp

Pin Sizes (X)

16, 23, 25, 30, 38, 40mm diameter
Standard tolerance - 0.1, - 0.15
(Custom sizes available upon request)

Panel Gap (Z)

0-3mm Operator adjustable (see page 4)

Reversible Hook

Hook configurable in two positions.
Factory set, specify when ordering.
1 - Hook facing away from handle
2 - Hook facing towards handle

Adjustable Handle:

Handle configurable in four positions. 0, 90, 180, 270 deg
Specify when ordering.

Special Pins & Mounting:

Custom pin and mounting options available upon request.

Models & Part Codes

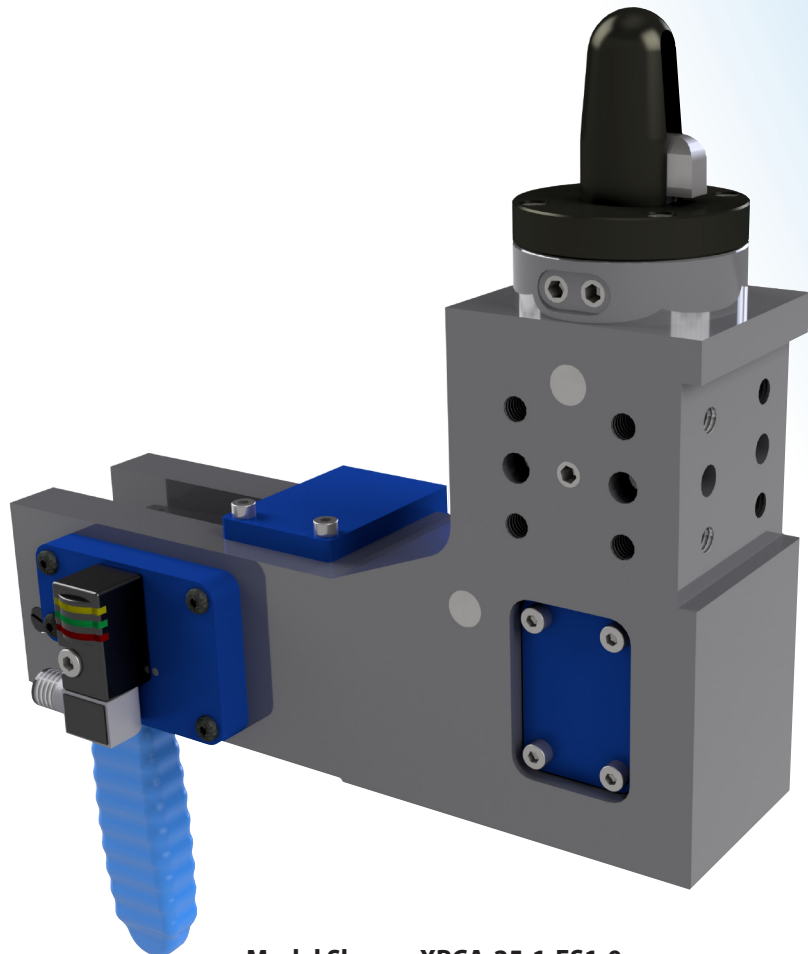
Contact us with your Requirements, pin size, Panel gap and any Special requirements and we will create model and part code.

Sensing Options.

Available with or without sensor
ES1 - Electric Switch
ES3 - Electric Switch (Reversed)
NS - No Switch
Note: Switch can only be mounted on one side.

Weight: 5.70kg
(25mm Pin)

Special Pin Example



Model Shown: XPCA-25-1-ES1-0

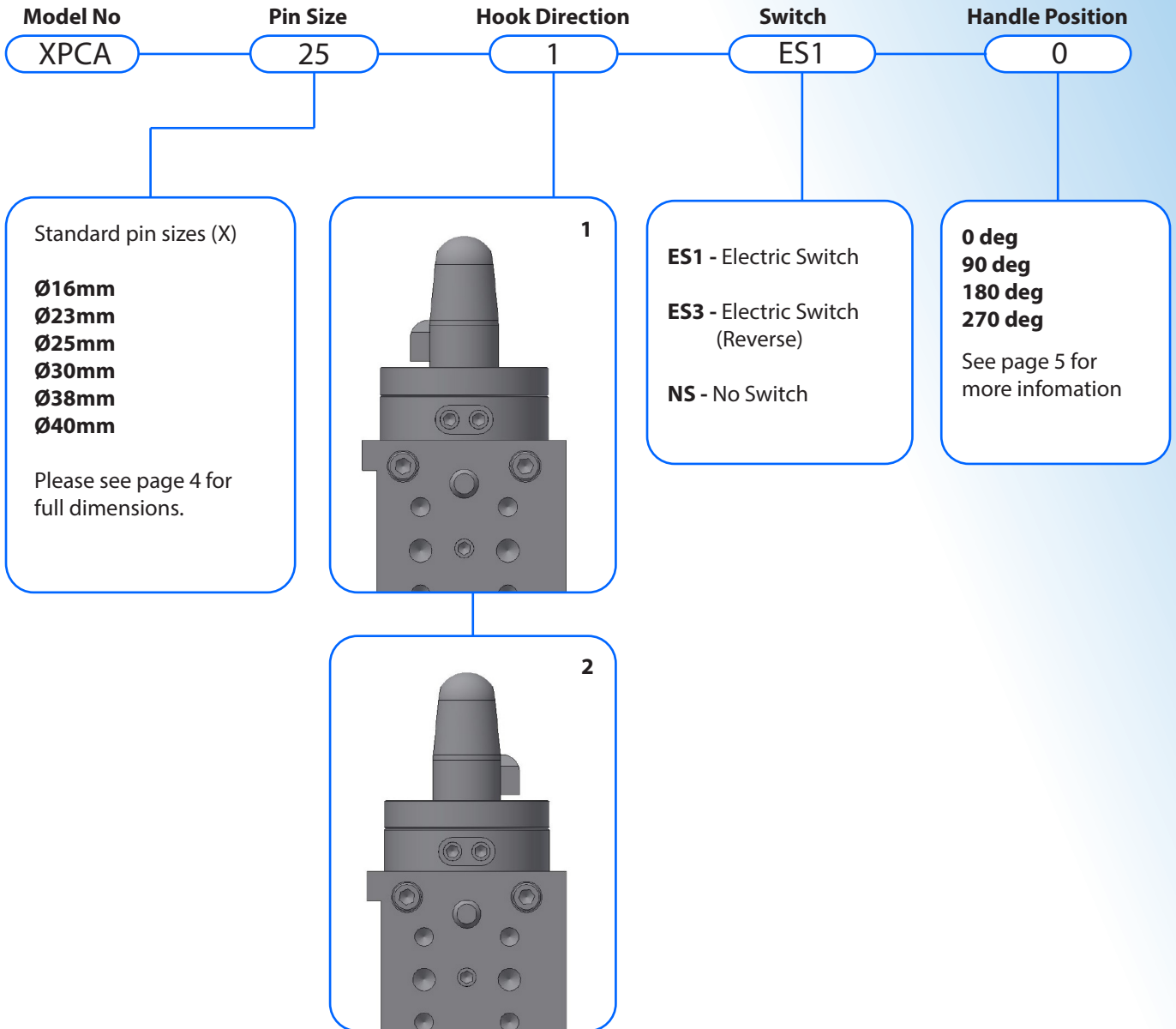
UNDERBODY CLAMP

XPCA



Ordering Code:

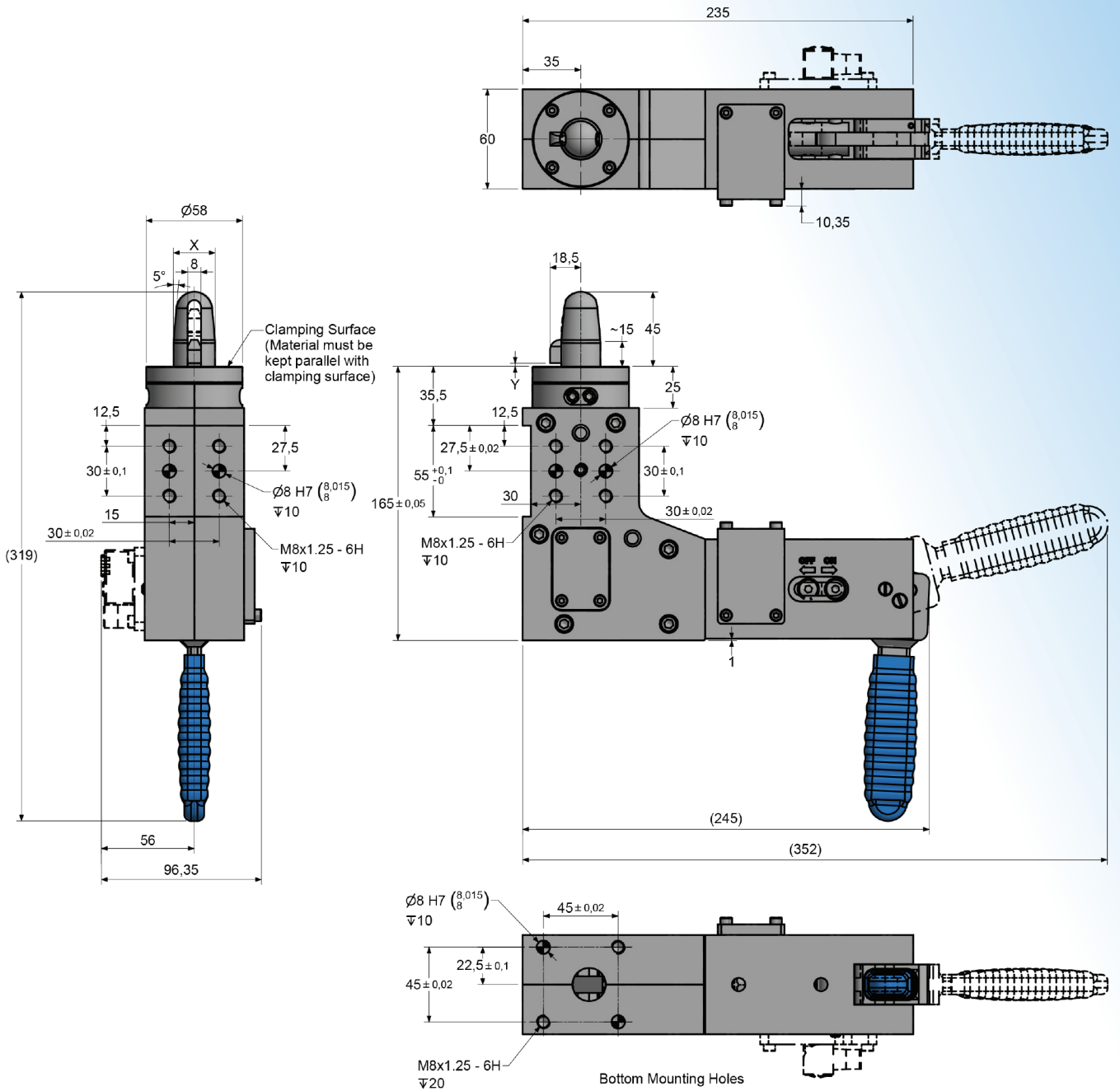
Example code



Dimensions and technical information is subject to change without notice



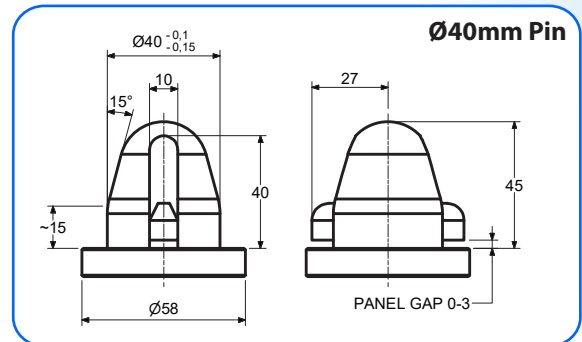
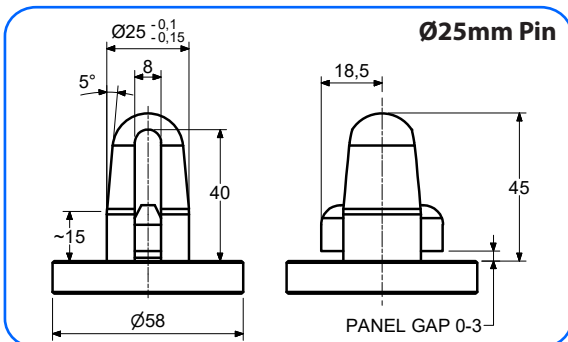
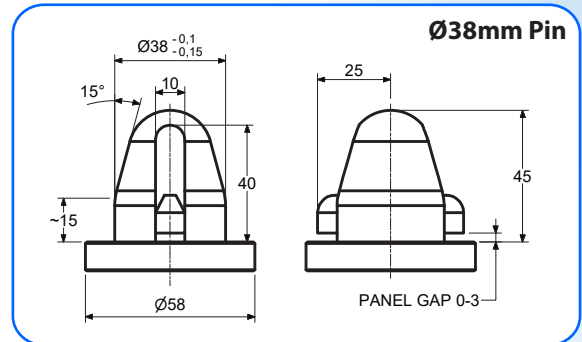
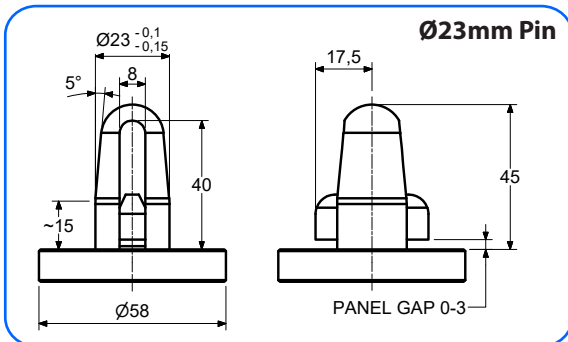
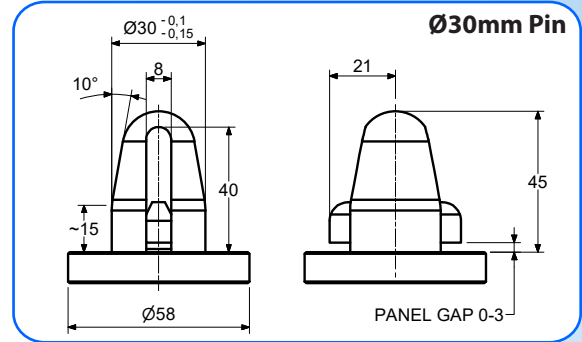
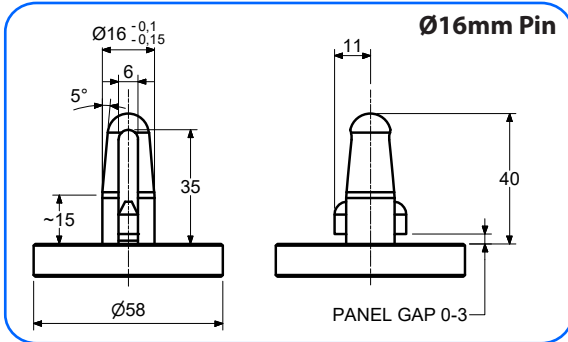
Dimensions and Technical Information



Dimensions and technical information is subject to change without notice



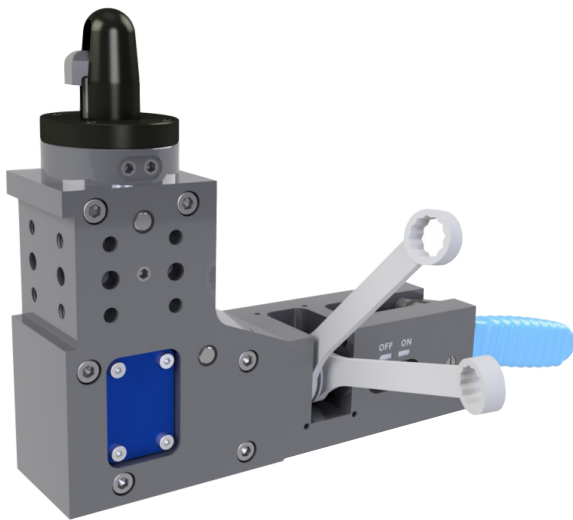
Dimensions and Technical Information



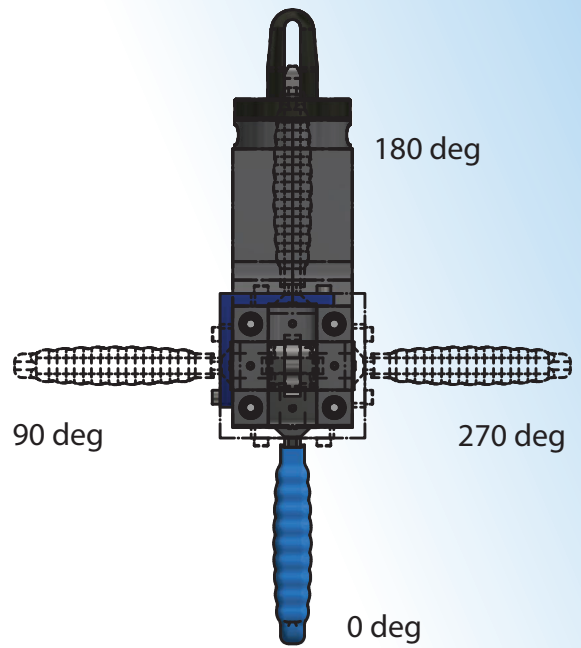


Features:

Operator Adjustable Panel Gap 0-3mm.



Handle configurable in 4 positions, 0°, 90°, 180°, 270°

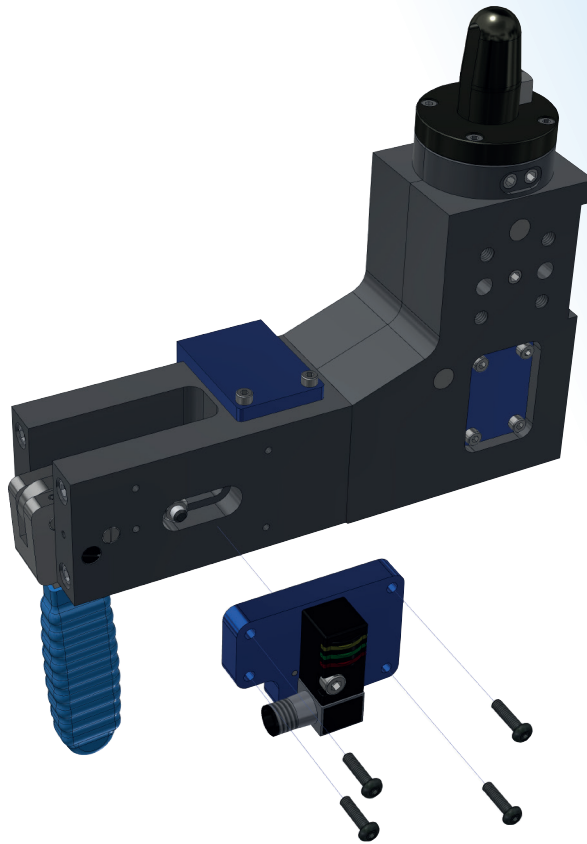


Visual Clamp ON/OFF Indicator Both Sides.

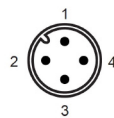
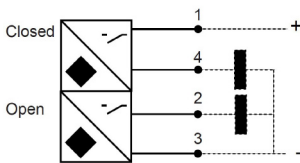




Switch Details



Electrical Connections



ES1 Inductive switch

Pin 4 (I sensor) - clamp closed
Pin 2 (II sensor) - clamp open

ES3 Inductive switch

Pin 4 (I sensor) - clamp open
Pin 2 (II sensor) - clamp closed

Technical data for switch

Operating voltage	10 ... 30 V DC
Operating current	0 ... 100 mA
Switching frequency	0 ... 100 Hz
No-load supply current	≤ 15 mA
Voltage drop	≤ 3 V
Weld field test limit (AC)	100 mT
Weld field test limit (DC)	100 mT
Short circuit protection	Yes
Reverse polarity protection	Yes

LED(s)

Open	Red
Closed	Yellow
Supply voltage	Green

Electrical connector	Device connector M12 x 1, 4-pin
Housing Material	PBT, PA6 + GD-ZN AL4
Cable Amplifier - Satellite - 90mm, PUR (non-halogenated)	