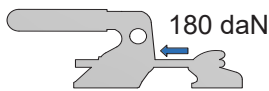


HOOK CLAMP

HC22H

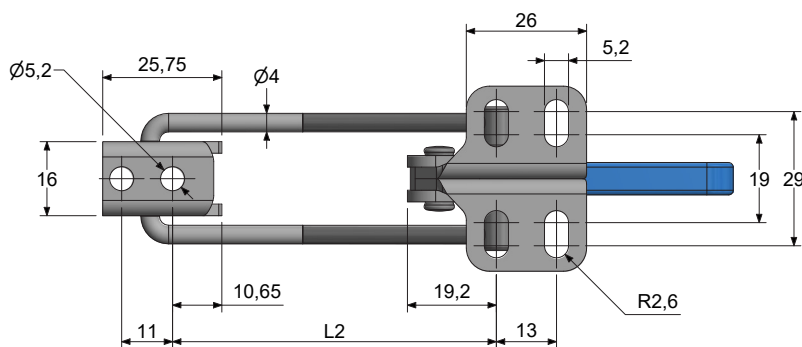
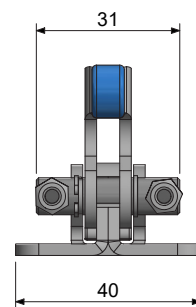
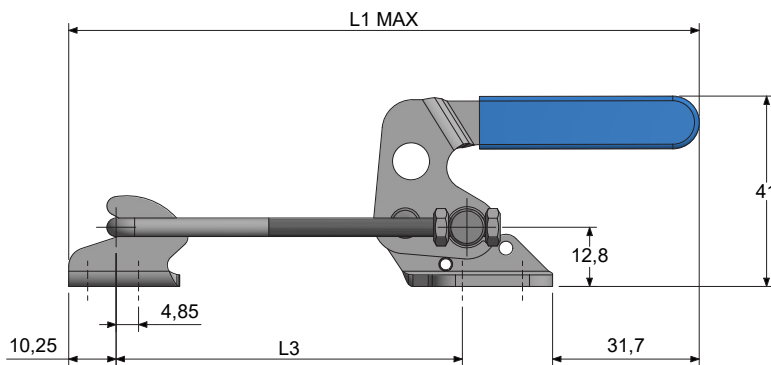
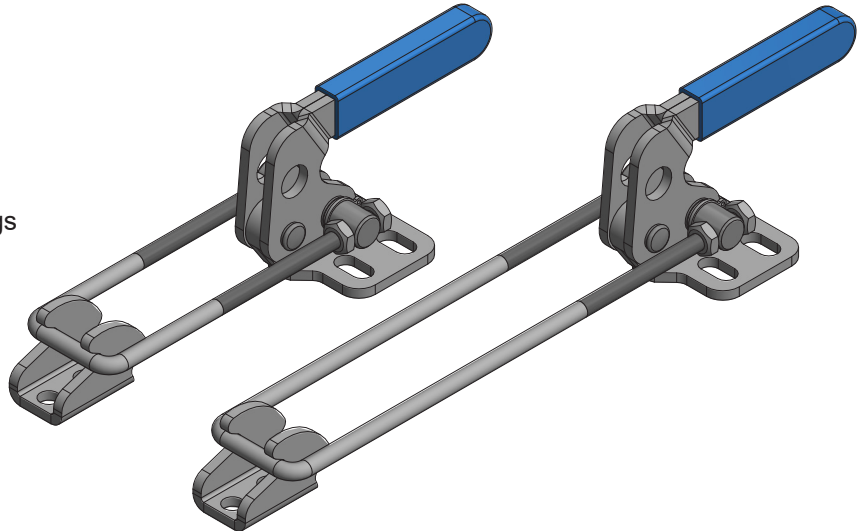


Material: Heavy gauge steel
Finish: Zinc plated
Supplied with: Hook, Latch plate
Max holding force: 210daN
Weight: HC22/H-80 - 0.13Kgs
 HC22/H-140 -
Clamping pressure:



HC22/H-80

HC22/H-140



PART No.	DIM 'L1'	DIM 'L2'	DIM 'L3'
HC22/H-80	136	36-70	41-75
HC22/H-140	191	91-125	96-130

HC22/H-SS
 Stainless steel
 option available