

Small mounting bracket

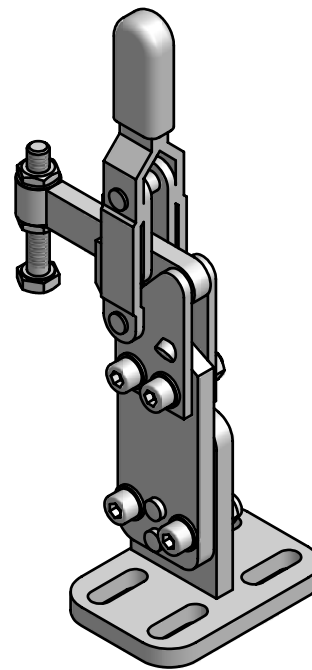
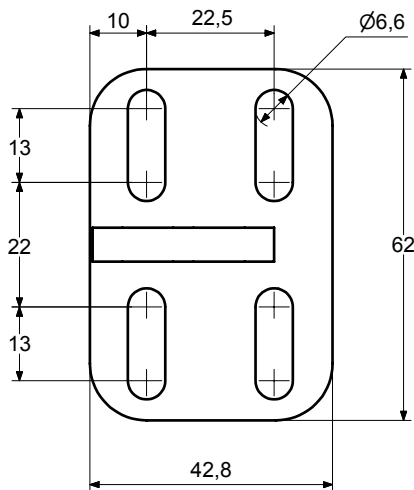
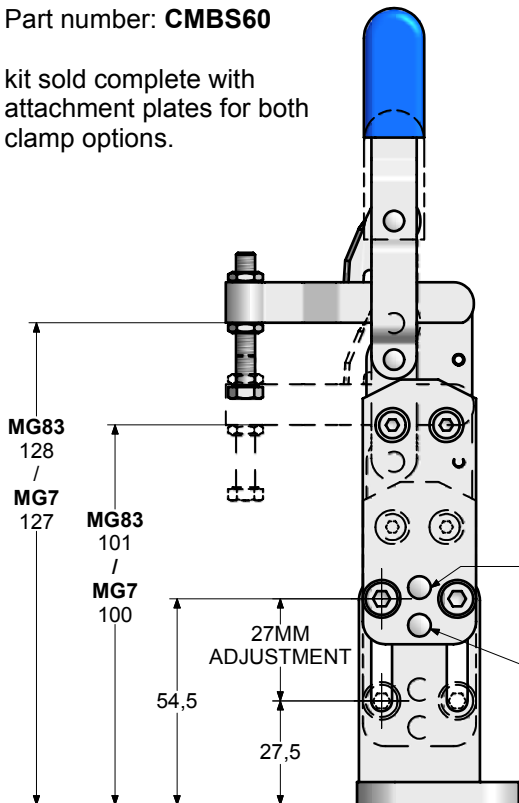
CMBS60



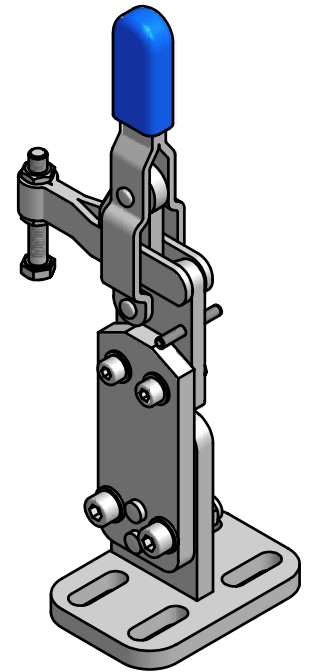
Clamp mounting brackets for **MG7 & MG83***

Part number: **CMBS60**

kit sold complete with attachment plates for both clamp options.

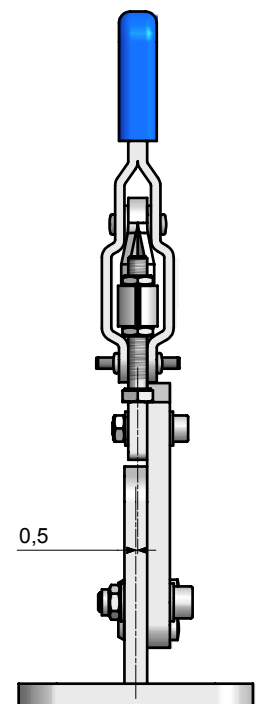
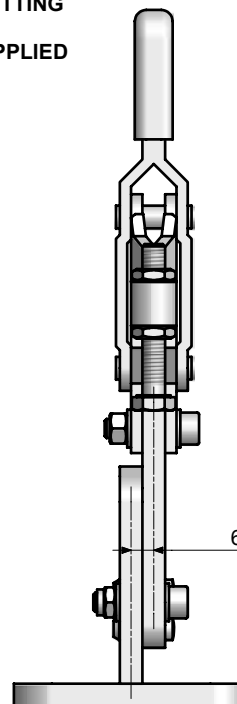


MG7



MG83

2 X 5.5MM HOLES TO BE DRILLED AND REAMED IN SITU AFTER SETTING TO SUIT 6MM DOWELS SUPPLIED



* Clamps sold separately

Small mounting bracket

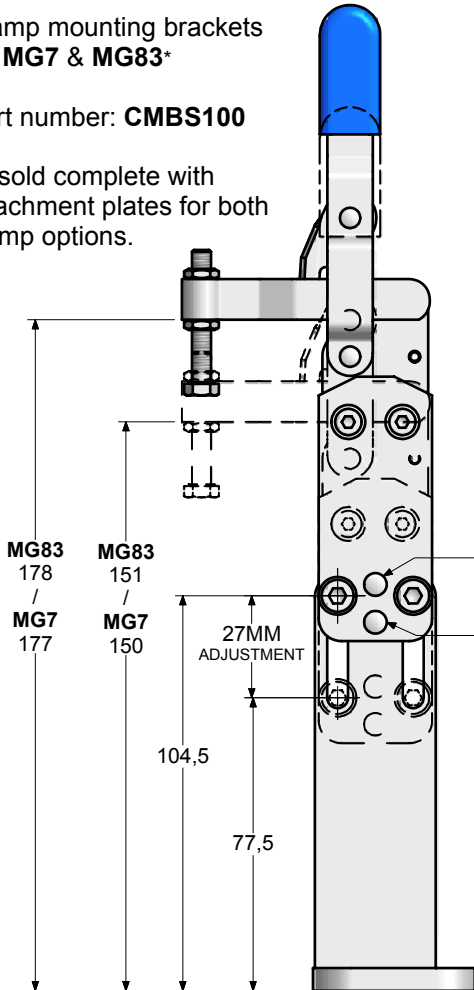
CMBS100



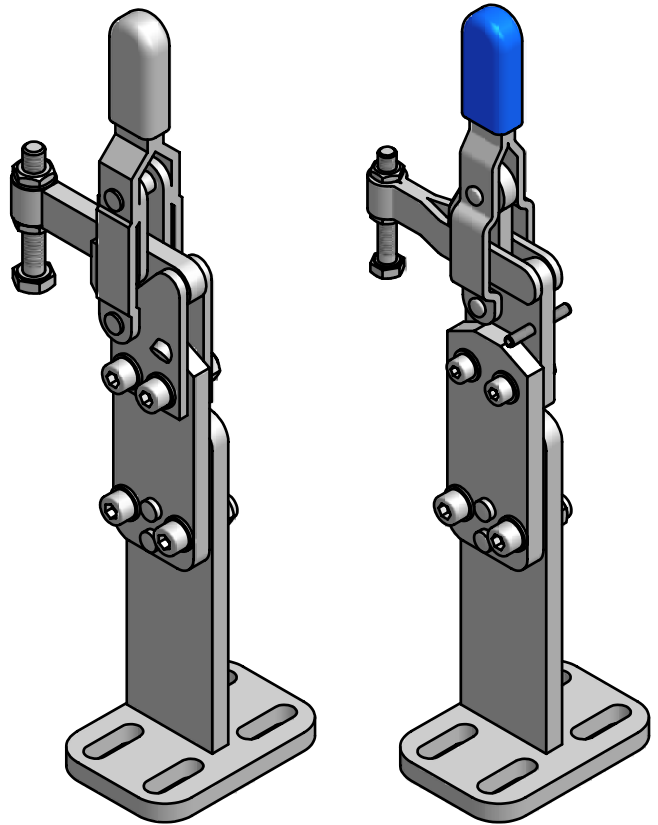
Clamp mounting brackets for **MG7 & MG83***

Part number: **CMBS100**

kit sold complete with attachment plates for both clamp options.

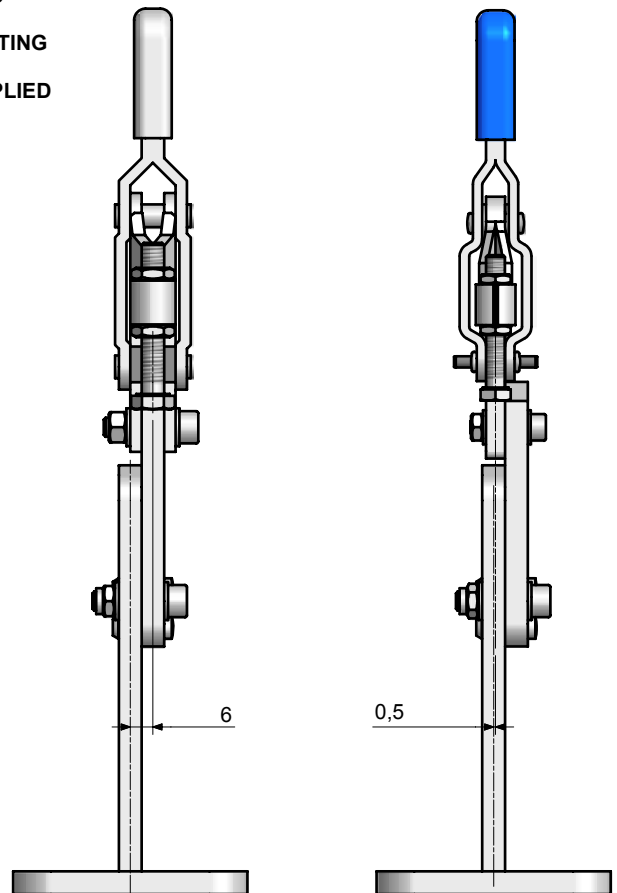
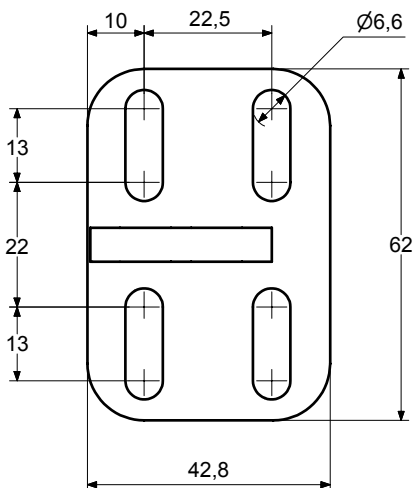


2 X 5.5MM HOLES TO BE DRILLED AND REAMED IN SITU AFTER SETTING TO SUIT 6MM DOWELS SUPPLIED



MG7

MG83



* Clamps sold separately

Small mounting bracket

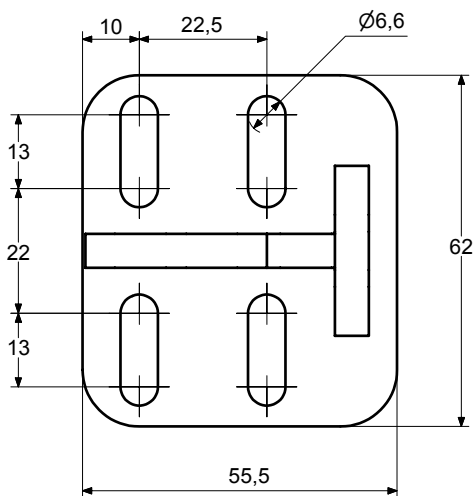
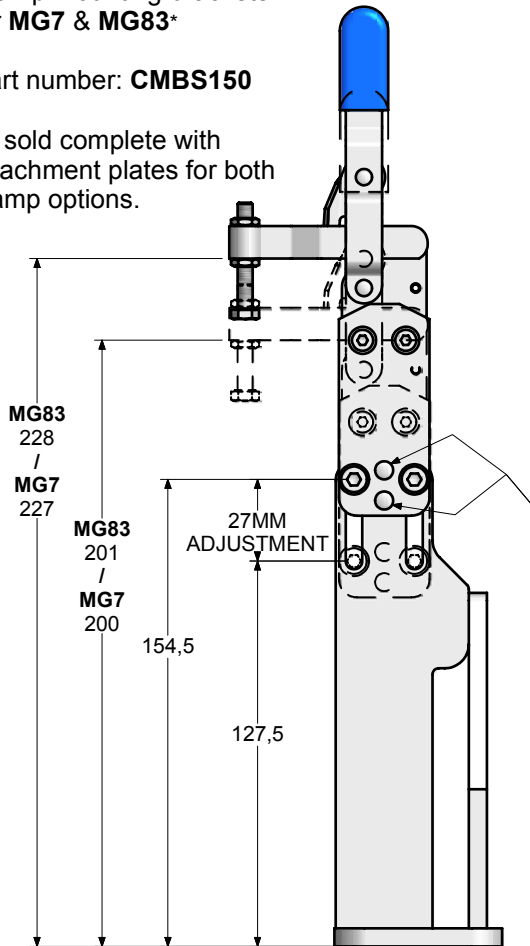
CMBS150



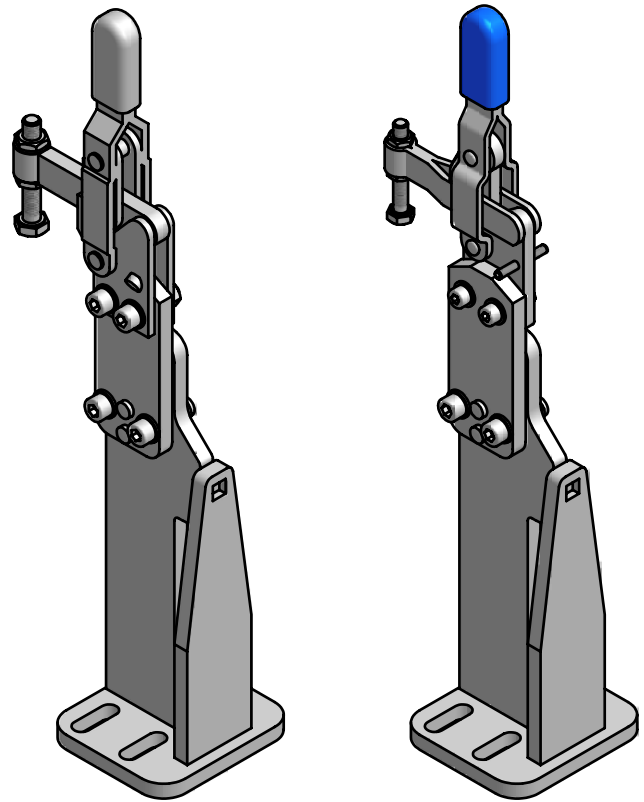
Clamp mounting brackets for **MG7 & MG83***

Part number: **CMBS150**

kit sold complete with attachment plates for both clamp options.



* Clamps sold separately



MG7

MG83

