

Large mounting bracket

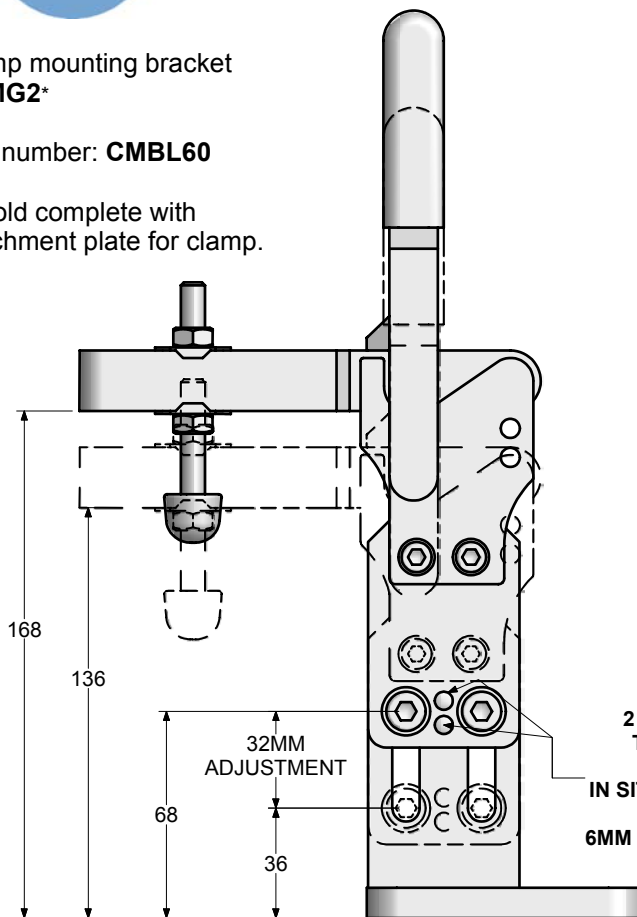
CMBL60



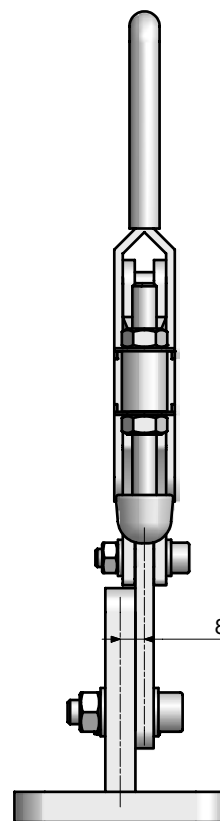
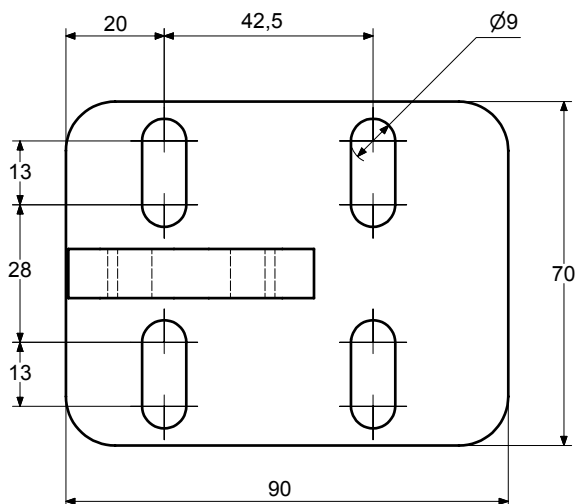
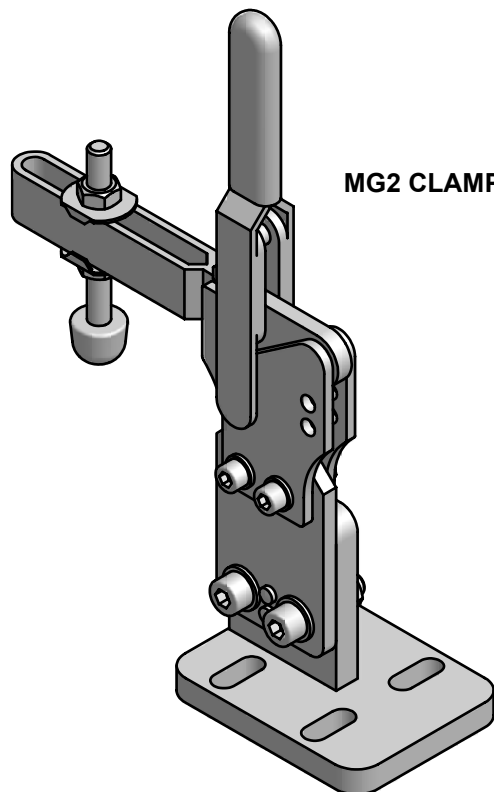
Clamp mounting bracket for **MG2***

Part number: **CMBL60**

kit sold complete with attachment plate for clamp.



2 X 5.5MM HOLES TO BE DRILLED AND REAMED IN SITU AFTER SETTING TO SUIT
6MM DOWELS SUPPLIED



* Clamp sold separately

Large mounting bracket

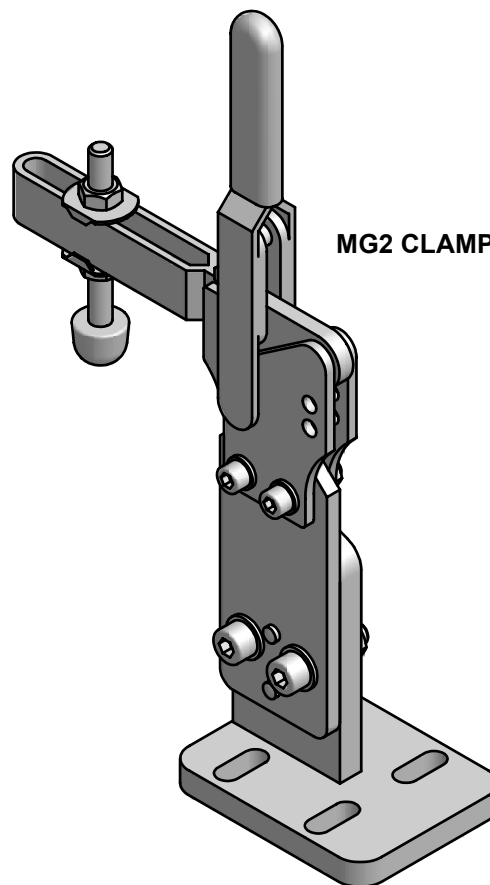
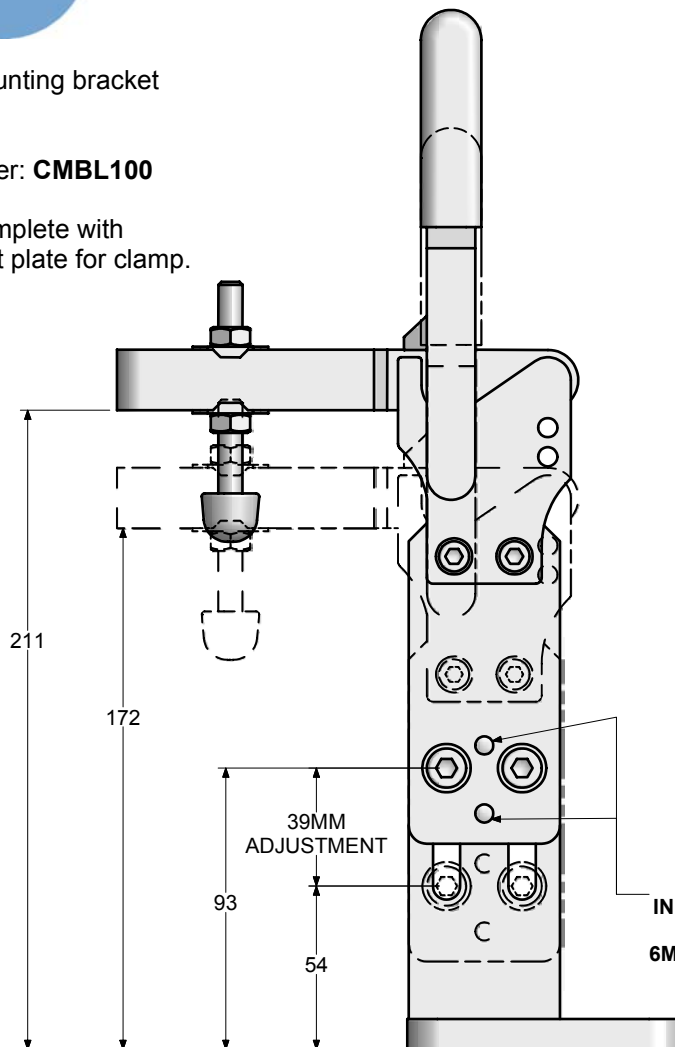
CMBL100



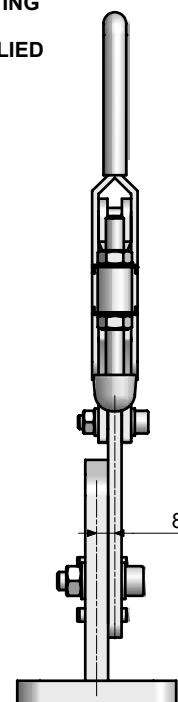
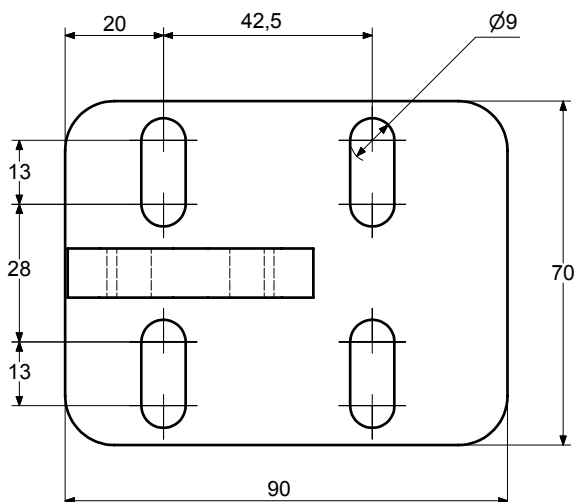
Clamp mounting bracket for MG2*

Part number: **CMBL100**

kit sold complete with attachment plate for clamp.



2 X 5.5MM HOLES TO BE DRILLED AND REAMED IN SITU AFTER SETTING TO SUIT 6MM DOWELS SUPPLIED



* Clamp sold separately

Large mounting bracket

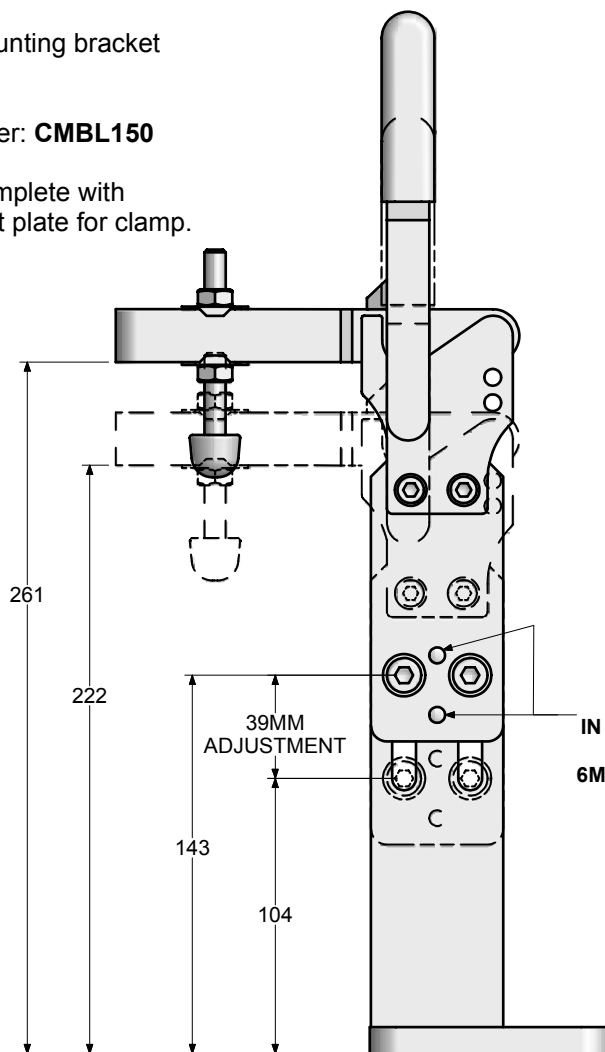
CMBL150



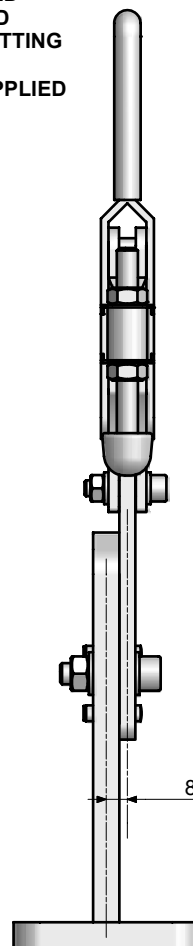
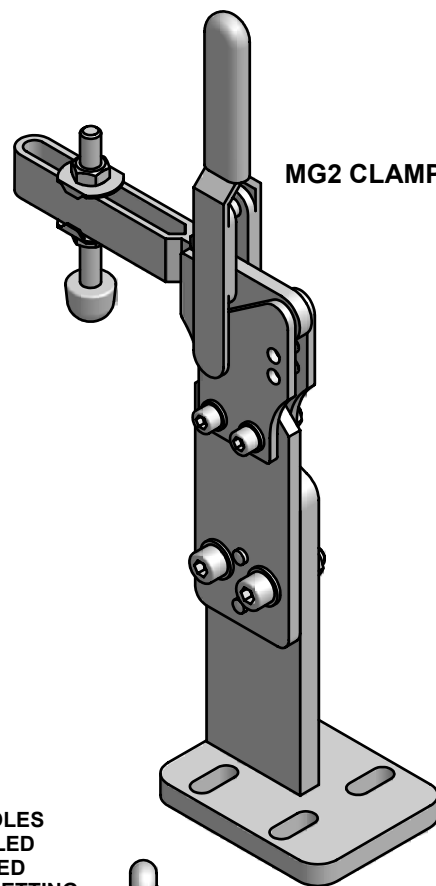
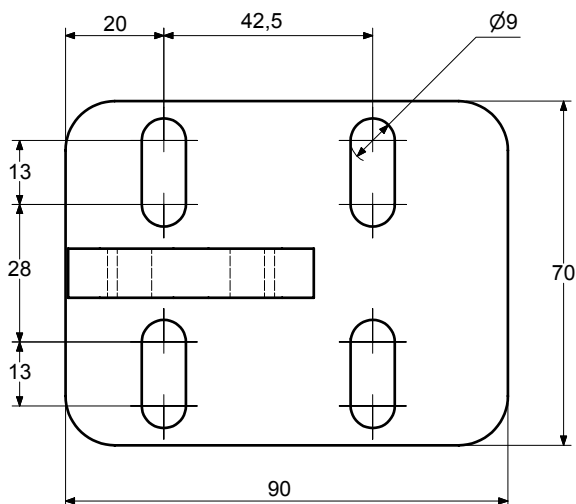
Clamp mounting bracket for **MG2***

Part number: **CMBL150**

kit sold complete with attachment plate for clamp.



2 X 5.5MM HOLES TO BE DRILLED AND REAMED IN SITU AFTER SETTING TO SUIT
6MM DOWELS SUPPLIED



* Clamp sold separately

Large mounting bracket

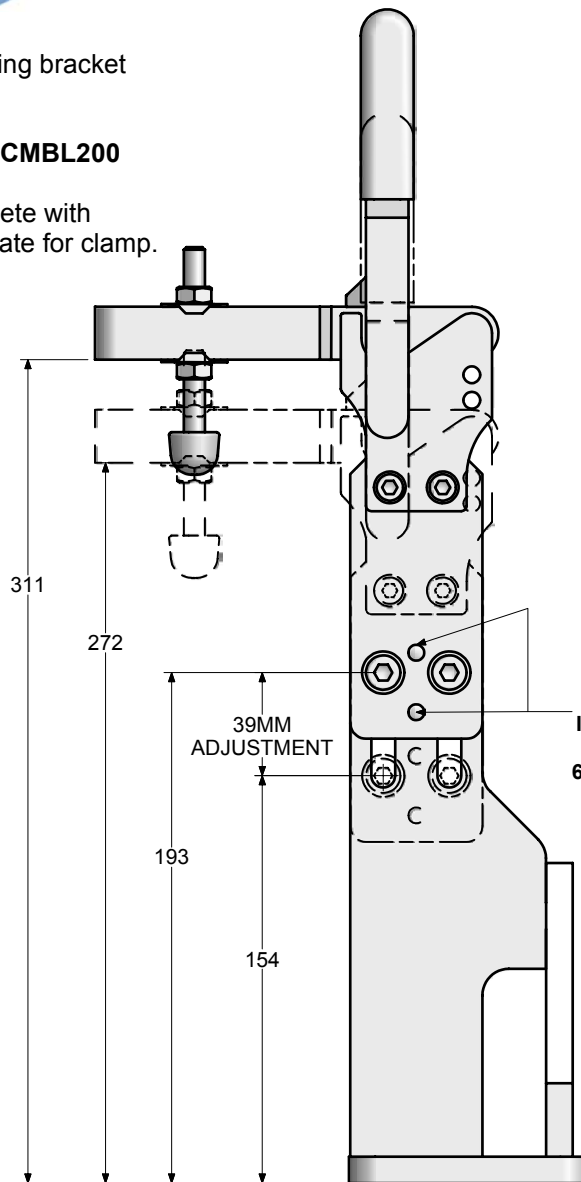
CMBL200



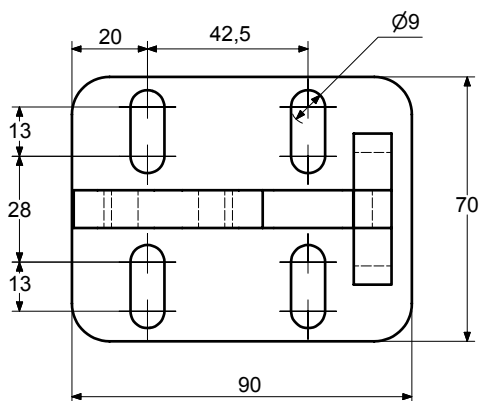
Clamp mounting bracket for **MG2***

Part number: **CMBL200**

kit sold complete with attachment plate for clamp.



2 X 5.5MM HOLES TO BE DRILLED AND REAMED IN SITU AFTER SETTING TO SUIT
6MM DOWELS SUPPLIED



* Clamp sold separately

