

# POWER LOCATOR

# XLPR 40-80



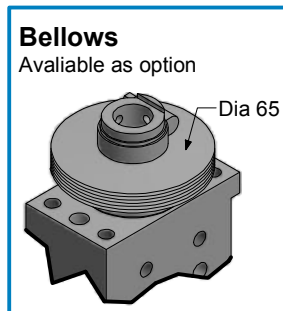
**Power Locator, 40 bore, 80 stroke, integrated sensing, side mounting, anti-rotation.**

Maximum air pressure  
8 BAR  
Normal working 5 BAR  
Dry air permissible  
Restrictors must be used  
in conjunction with  
cylinder

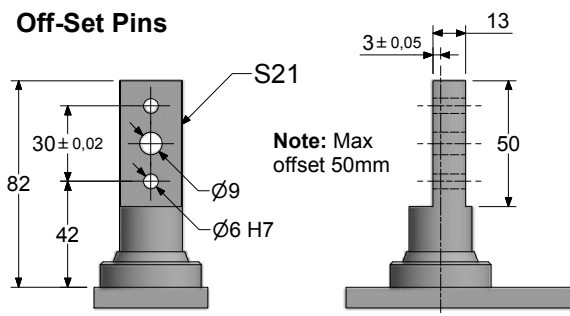
**Sensing options**  
NS No Sensing  
ES1 Inductive Switches

**Pin Type/Position**  
Standard: S10  
Off-set pins: S21, S22, S23, S24

See order guide for further  
information



**Off-Set Pins**



**Pin Type/Position**

