



**Hand applied locator,  
locking, 40 stroke,  
intergrated sensing, side  
mounting, anti rotation.**

**Handle Positioning**

The handle can be mounted on either side of the locator. It can be positioned in four start positions on the square drive.

**Sensing Options**

- NS No sensing
- ES1 Inductive switch

**5/3 Valve required for central positioning**

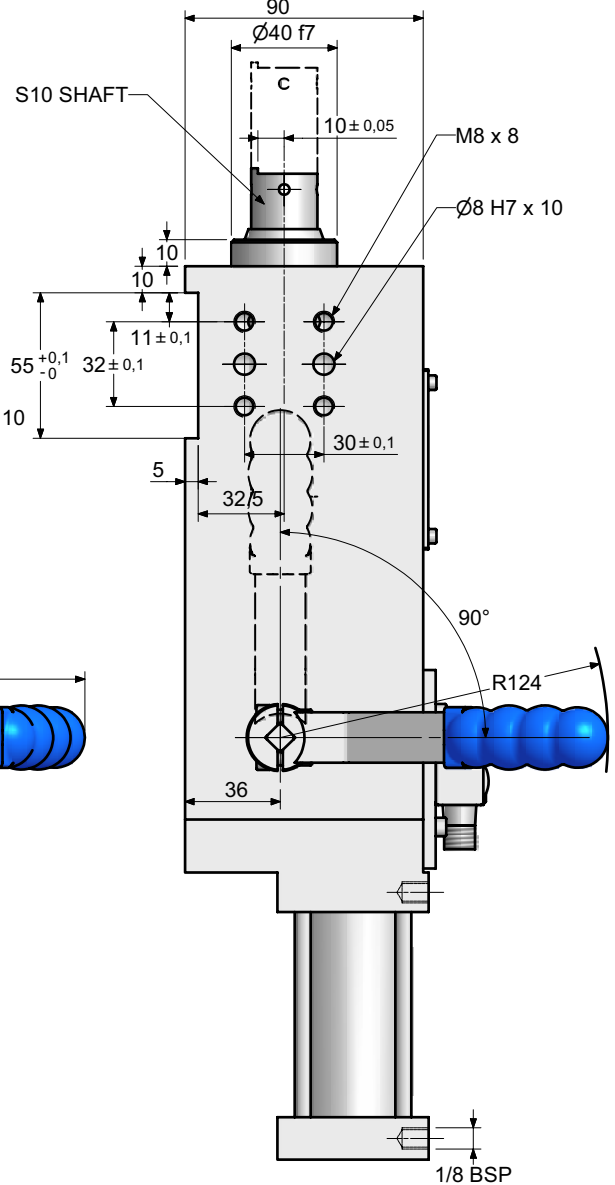
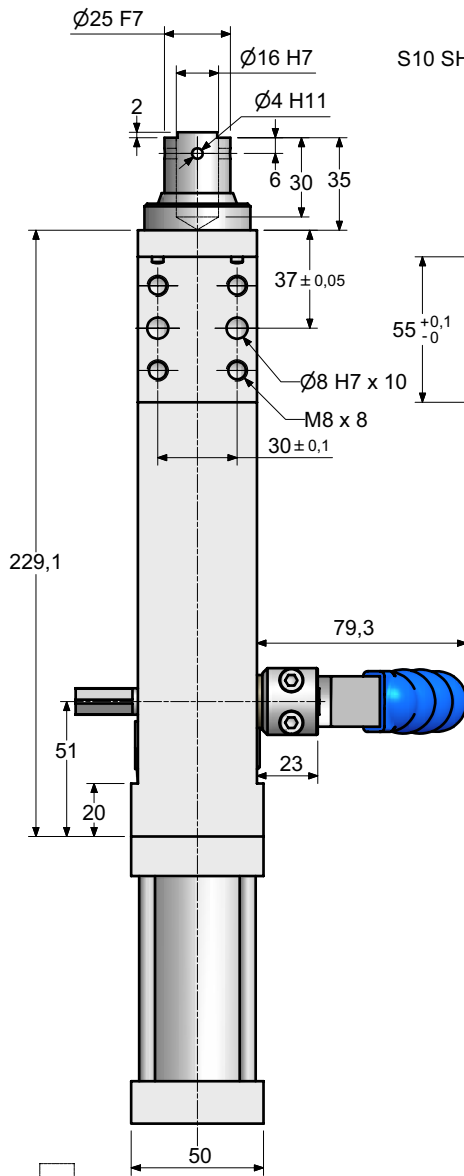
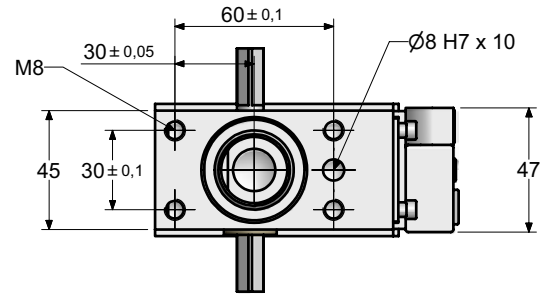
Weight Kg

**Order Guide:**

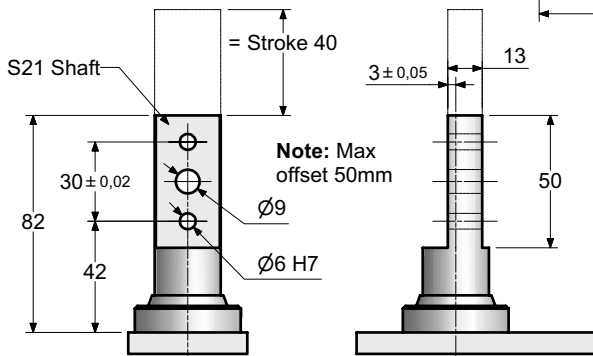
XLPR40 - ML - ES1 - 40 - S21

**Sensing**  
NS No Sensing  
ES1 Inductive Switch

**Pin Type/ Position**  
Pin Type 1  
S10  
Pin Type 2  
S21, S22, S23, S24



**Off-Set Pins**



**Pin Type/ Positions**

