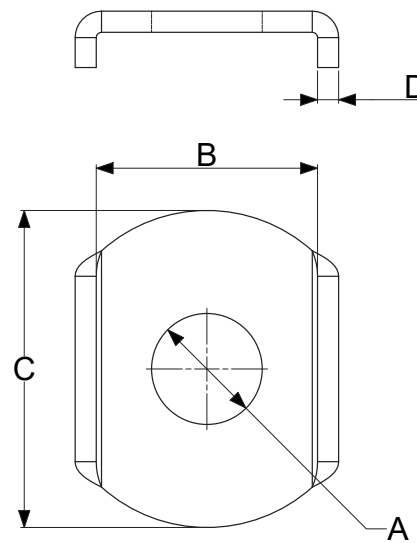
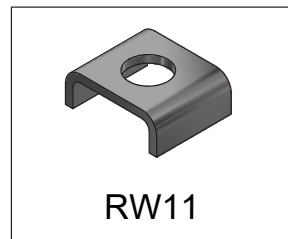
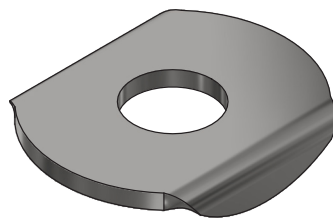
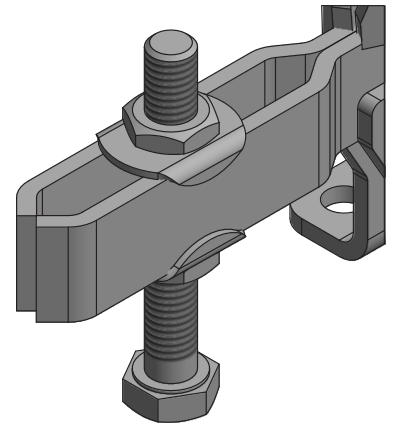


RETAINING WASHERS

RW1-11



Retaining washers for use with adjustable 'U' arm clamps.



RETAINING WASHER DIMENSIONS						
CLAMP PART No.	WASHER PART No.	STAINLESS PART No.	DIM A	DIM B	DIM C	DIM D
MG7, MG3, MG84, M17, MH5, MH4	RW1	RW1 SS	6.5	13	19.7	1.2
MG85, MG86, M18, MG2-8	RW2	RW2 SS	8.5	14.8	22	1.2
MG2	RW3	N/A	10.5	17.2	25	1.5
MG5, M19	RW4	N/A	10.5	18.7	25	1.6
MH6, MH7	RW5	N/A	8.5	17.2	25	1.5
MH8	RW6	N/A	10.5	21	30	2
MH12	RW7	N/A	13.5	21	30	2
MG87	RW8	N/A	13	24	33	3
M20, MG1	RW9	N/A	13	24	33	3
MH1	RW10	RW10 SS	4.4	7.2	12.5	1
MH2, MG83, MG82, MH3	RW11	RW11 SS	5.2	10.2	10	1