

HAND CLAMP

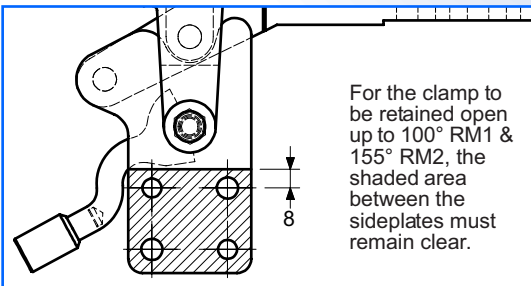
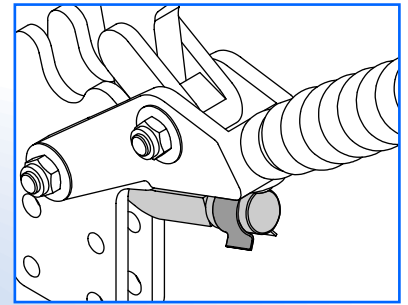
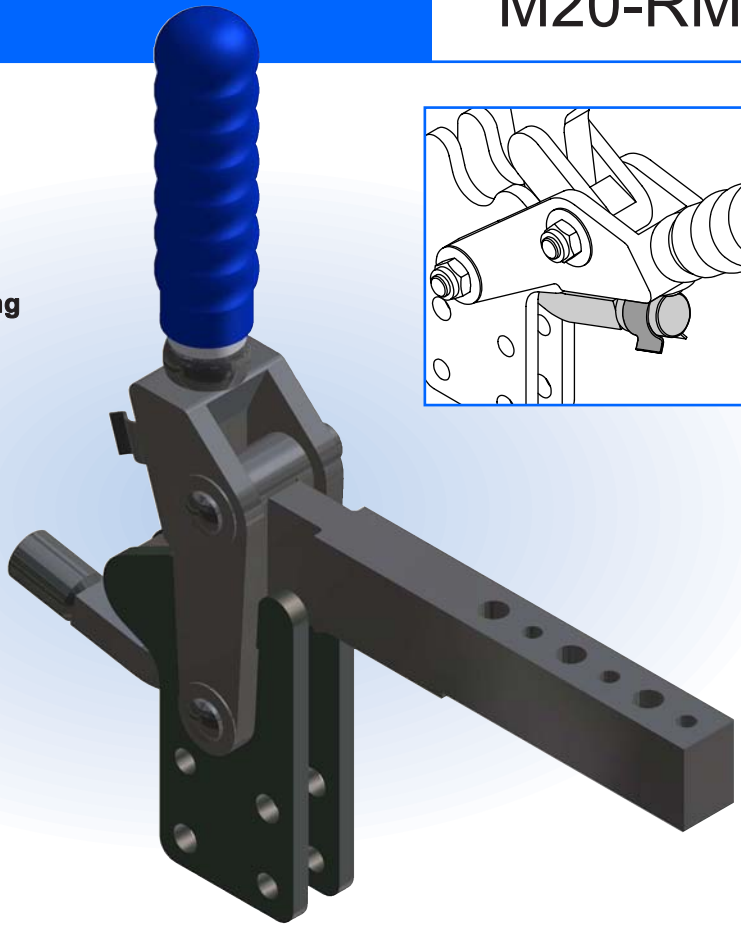
M20-RM



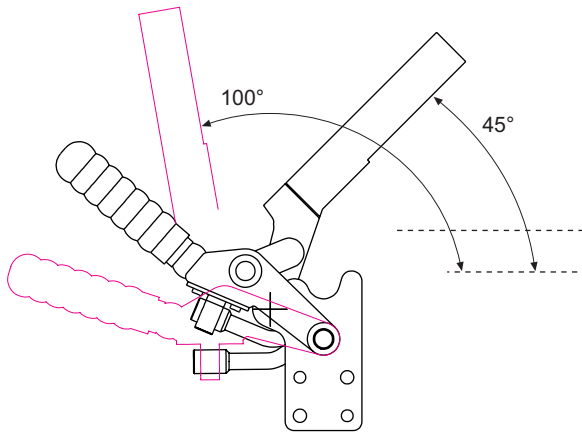
M20 heavy duty hand clamp with Retaining Mechanism.

Clamp bar is retained in the open position by a means of a spring clip. A range of opening angles are available.

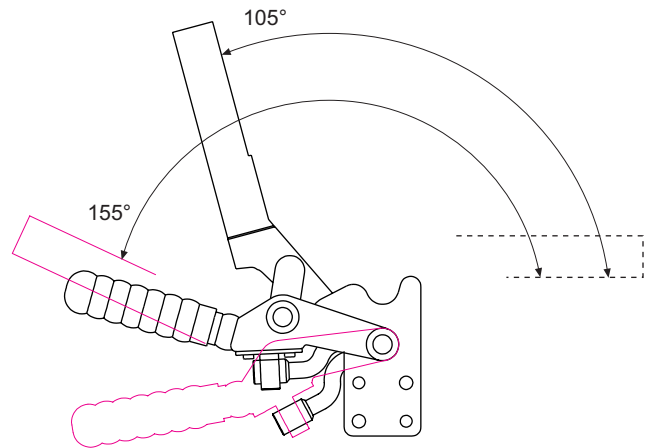
Supplied with: RM1 or RM2 Retaining Bracket
Angle options: RM1: 45° - 100° arm angle
 RM2: 105° - 155° arm angle
To Order: add - **RM1 or RM2** to clamp no eg: **M20-01-97-RM1**



RM1 Bracket

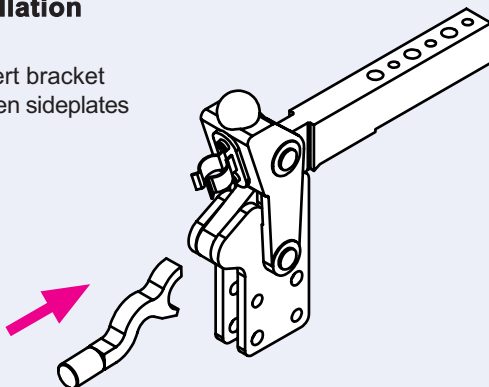


RM2 Bracket



Installation

1. Insert bracket between sideplates



2. Align bracket as required & weld in place

