



**Power clamp, slim line body, total protection, intergrated sensing, front & side mounting, 20mm double square.**

Maximum air pressure  
8 BAR  
Normal working 5 BAR  
Dry air is permissible  
Restricters must be used  
in conjunction with cylinder

Torque 387Nm at 5BAR  
Weight 9.8kg

**Sensing options**

NS No Sensing  
ES1 Inductive Switches

**Arm options**

See data sheet for details.

**Opening Angles**

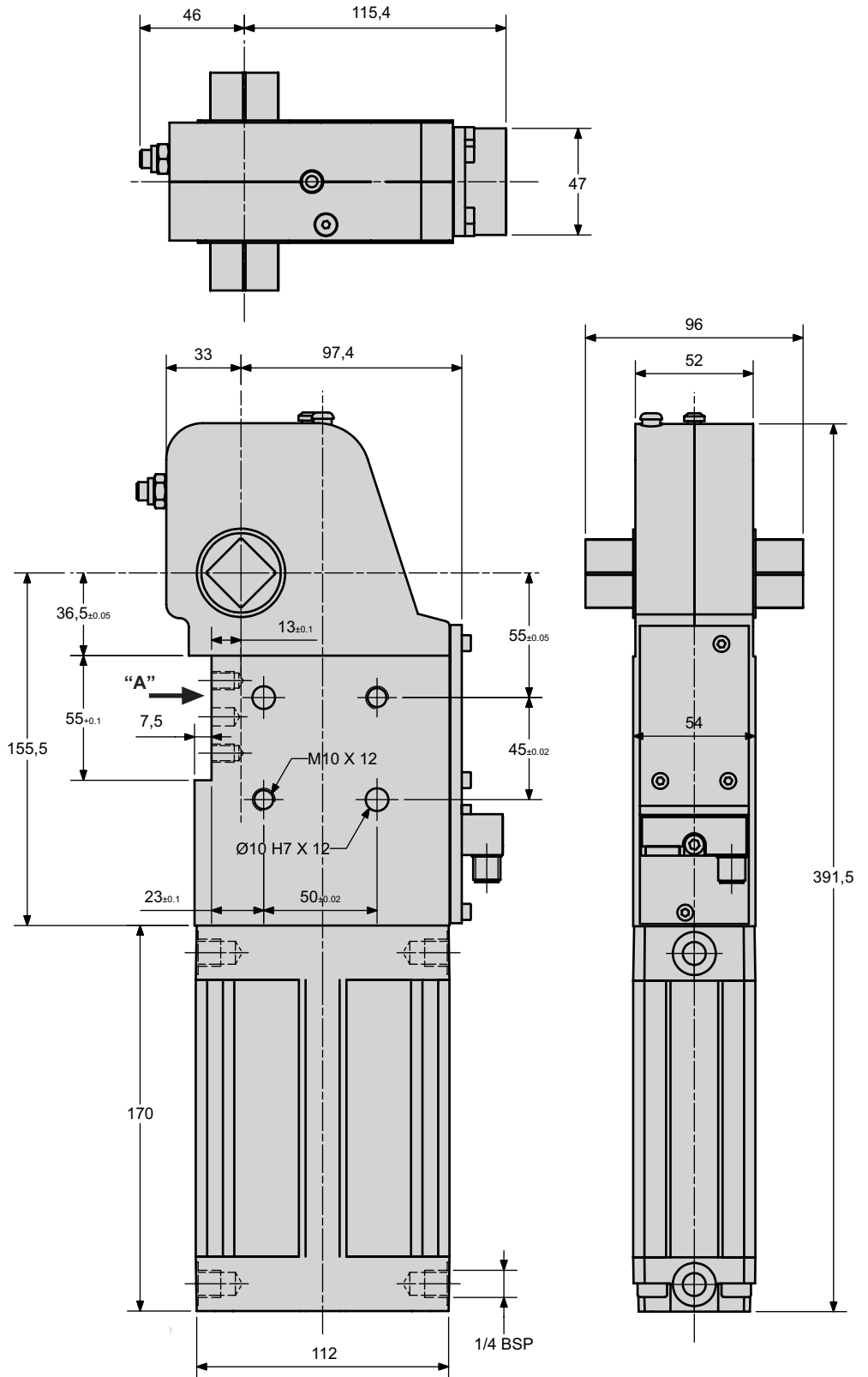
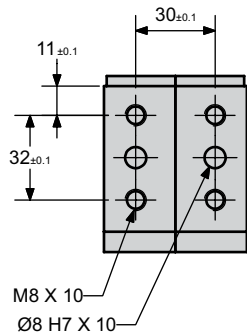
30°, 45°, 105°, 90°, 105°, 120°, 135°

**Accessories**

See data sheet for switch cover

See order guide for further information

**View arrow "A"**

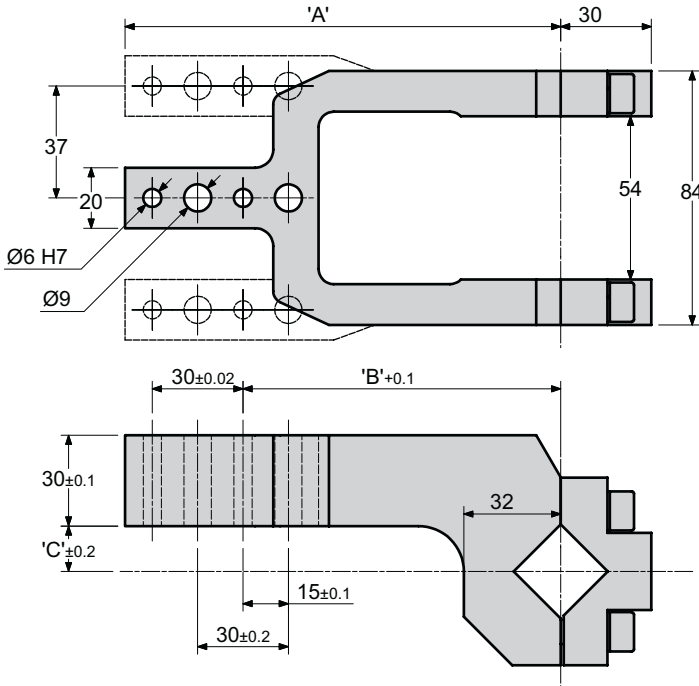
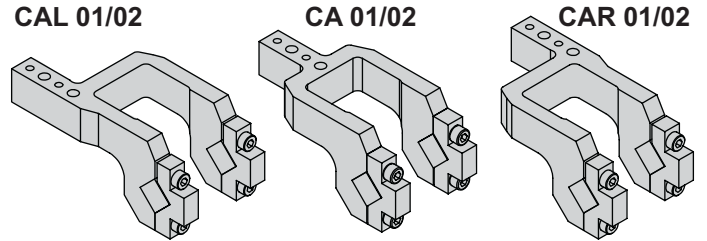
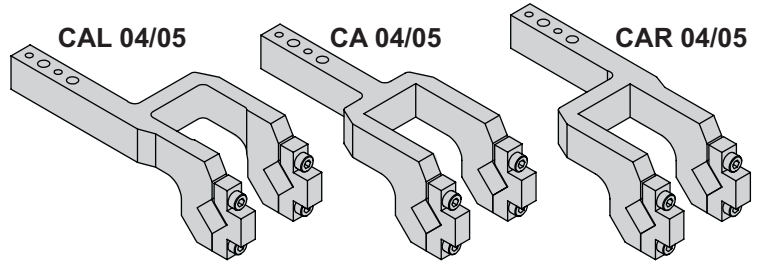


# DOUBLE ARMS

# X••63



## X••63 Clamp Arm Options



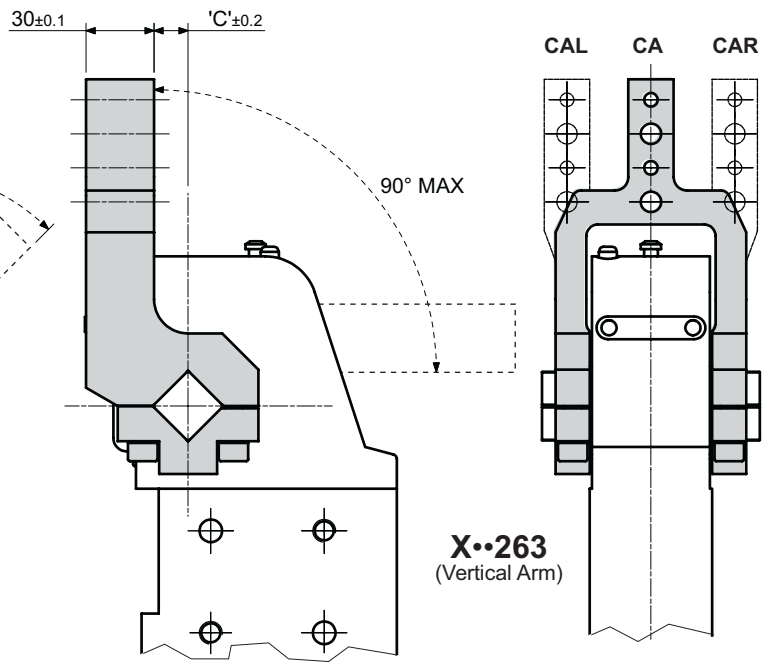
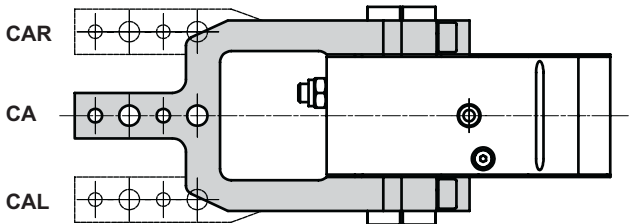
CLAMP ARM	'A'	'B'	'C'	WT /kg
TYPE 01	144	105	15	1.5
TYPE 02	144	105	40	1.7
TYPE 04	204	165	15	1.9
TYPE 05	204	165	40	2.1

### TO ORDER :

See order guide for further information

X••163-D-ES1- **CA** - **01** - 090

Arm Type	Offset/Length
CA Centre arm	01 Arm type 1 (15/144)
CAR Right hand arm	02 Arm type 2 (40/144)
CAL Left hand arm	04 Arm type 4 (15/204)
	05 Arm type 5 (40/204)

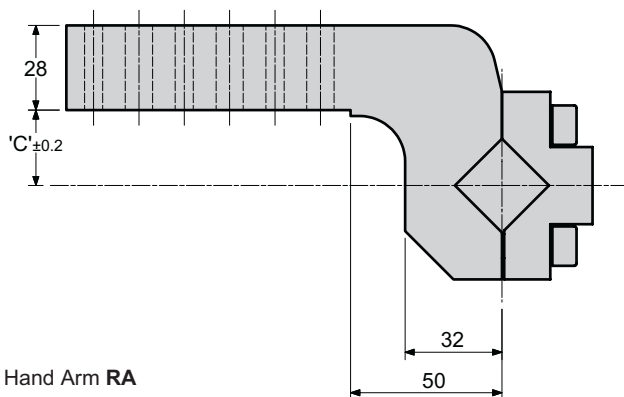
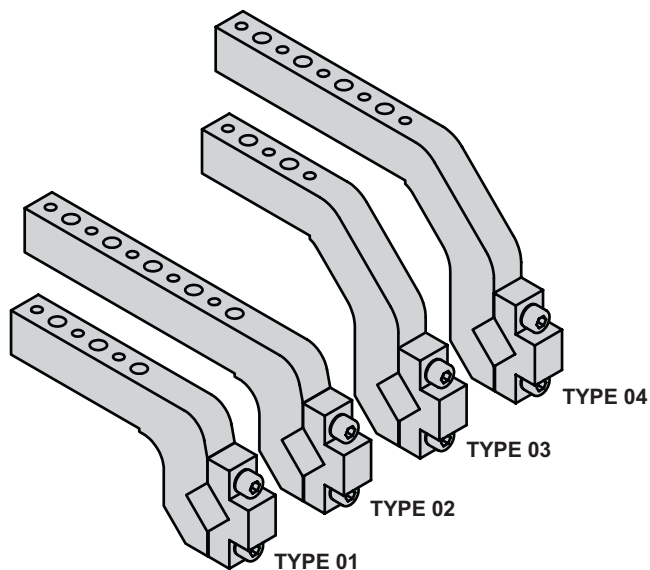
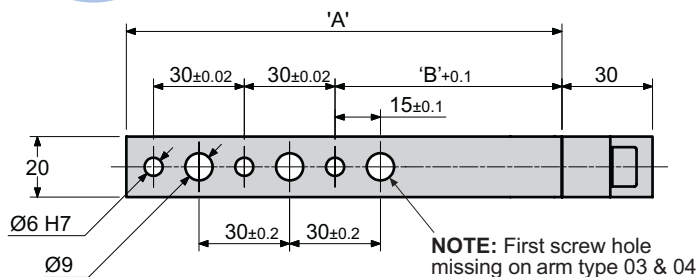


**X••163**  
(Horizontal Arm)

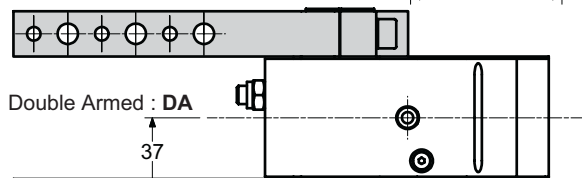
**X••263**  
(Vertical Arm)



## X••63 Clamp Arm Options



Right Hand Arm RA



Double Armed : DA

Left Hand Arm LA

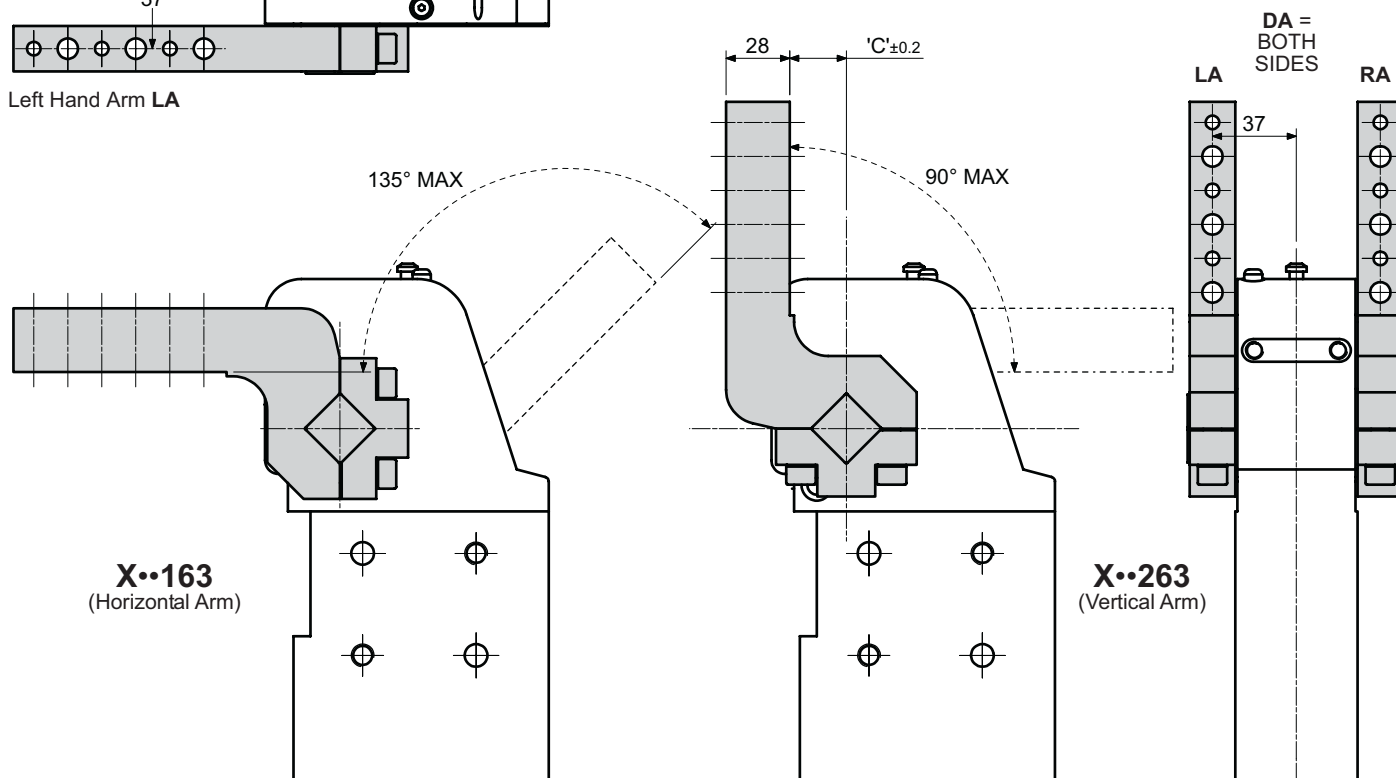
CLAMP ARM	'A'	'B'	'C'	WT kg
TYPE 01	144	75	25	1.0
TYPE 02	204	75	25	1.3
TYPE 03	144	75	70	1.2
TYPE 04	204	75	70	1.4

### TO ORDER :

See order guide for further information

X••163-D-ES1- **RA** - **01** - 090

Arm Type	Arm options
RA Right hand arm	01 Arm type 1
LA Left hand arm	02 Arm type 2
DA Double arm	03 Arm type 3
	04 Arm type 4

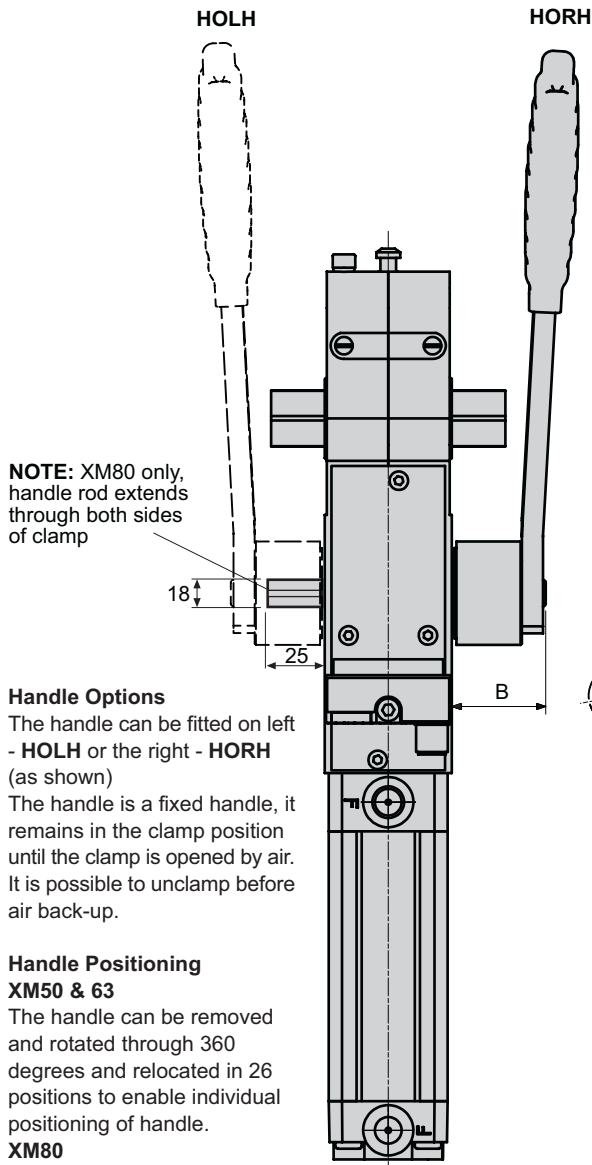
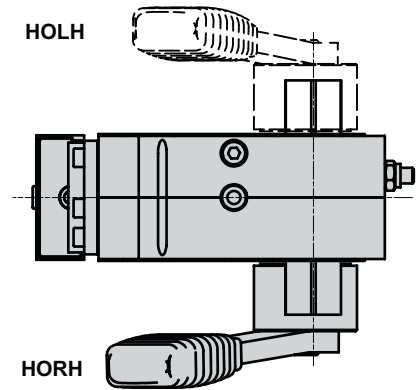


**X••163**  
(Horizontal Arm)

**X••263**  
(Vertical Arm)



Power clamp, hand applied, slim line body, total protection, intergrated sensing, front & side mounting, 20mm double square.



**NOTE:** XM80 only, handle rod extends through both sides of clamp

**Handle Options**

The handle can be fitted on left - **HOLH** or the right - **HORH** (as shown)

The handle is a fixed handle, it remains in the clamp position until the clamp is opened by air. It is possible to unclamp before air back-up.

**Handle Positioning**

**XM50 & 63**

The handle can be removed and rotated through 360 degrees and relocated in 26 positions to enable individual positioning of handle.

**XM80**

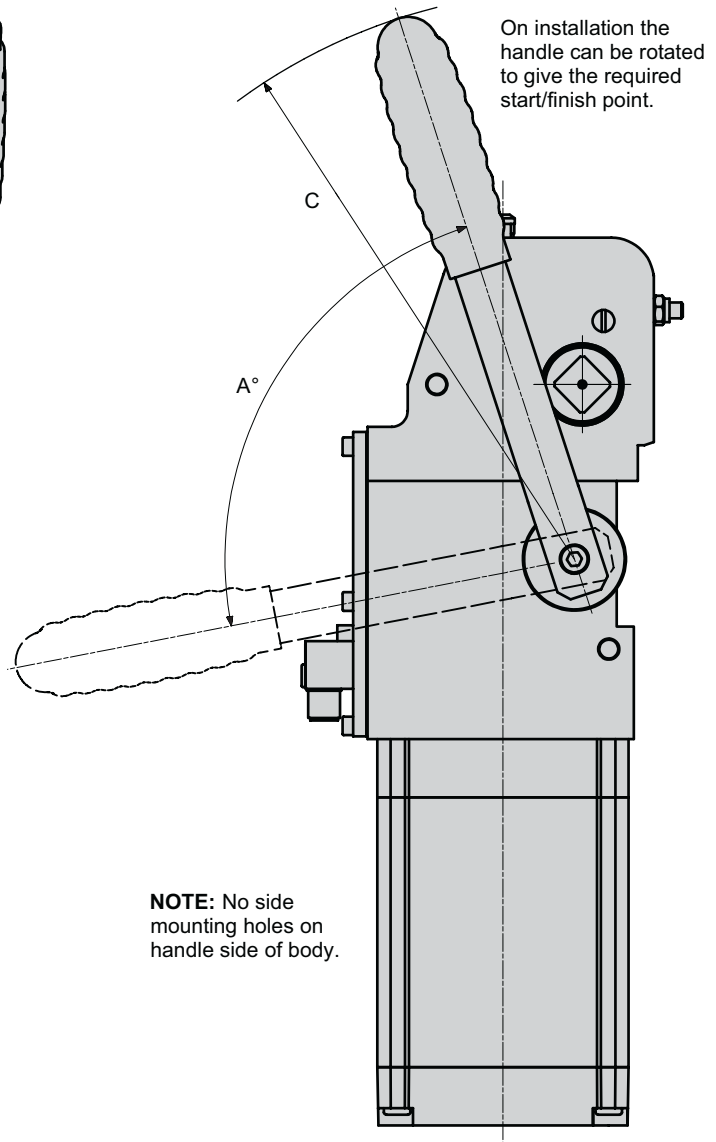
The handle is supplied loose to enable individual positioning of handle, weld on assembly.

**Opening Angles**

max 120°

See order guide for further information

**5/3 Valve required for central positioning**



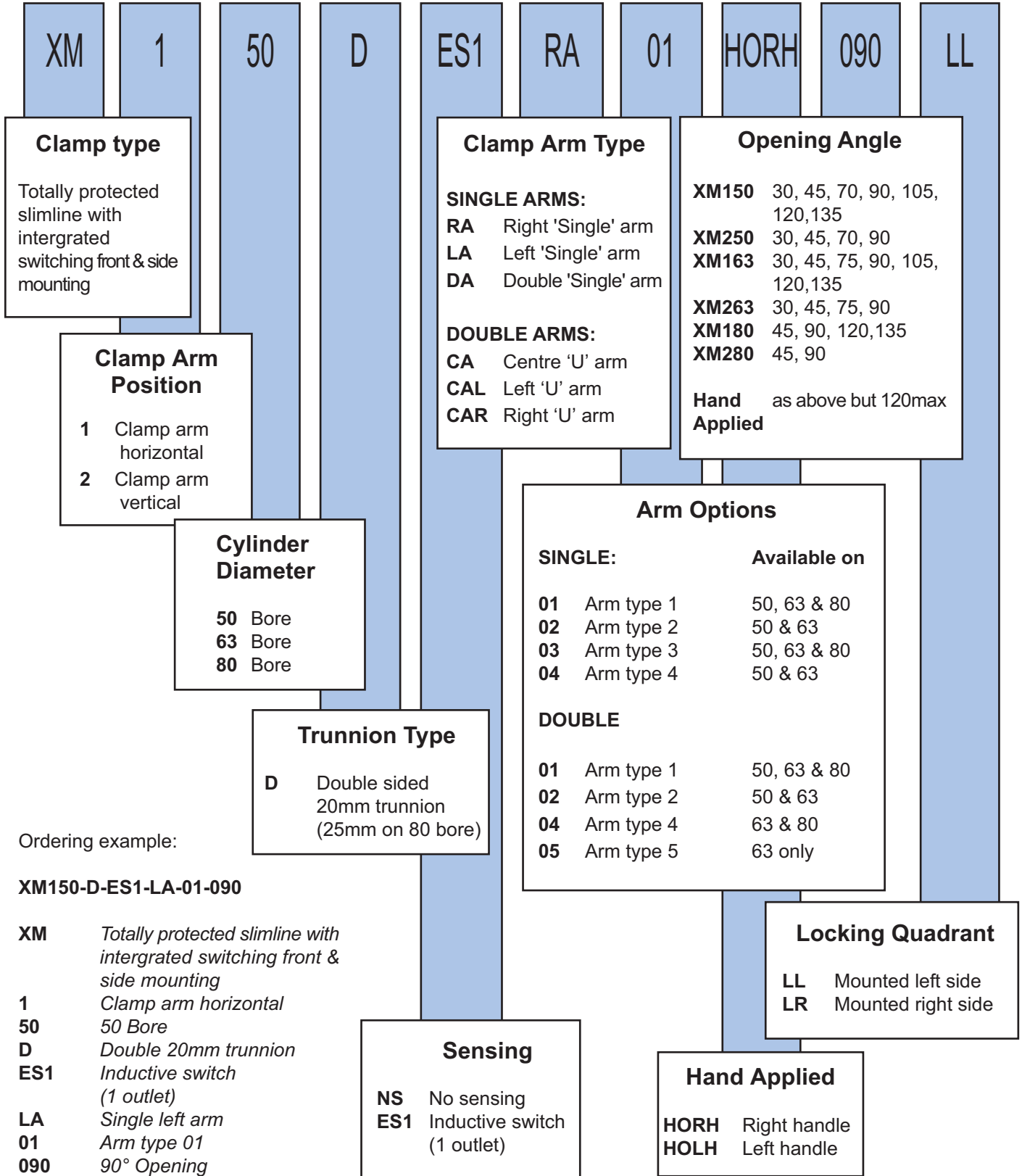
On installation the handle can be rotated to give the required start/finish point.

**NOTE:** No side mounting holes on handle side of body.

	A	B	C
XM50-D	83°	36	215
XM63-D	97°	36	235
XM80-D	94°	49	250

## Order code guide for XM power Clamp products

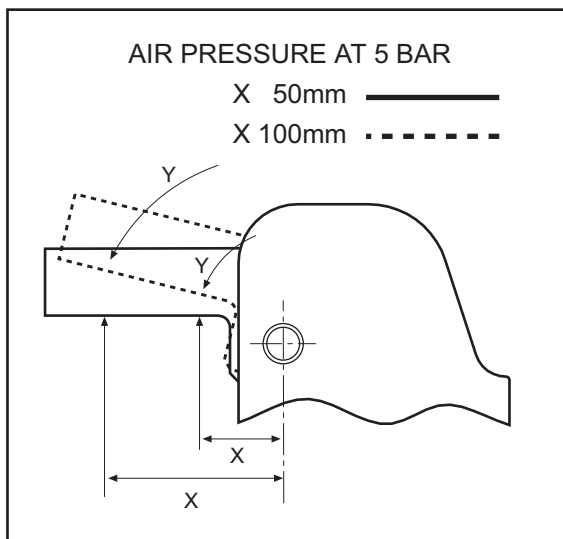
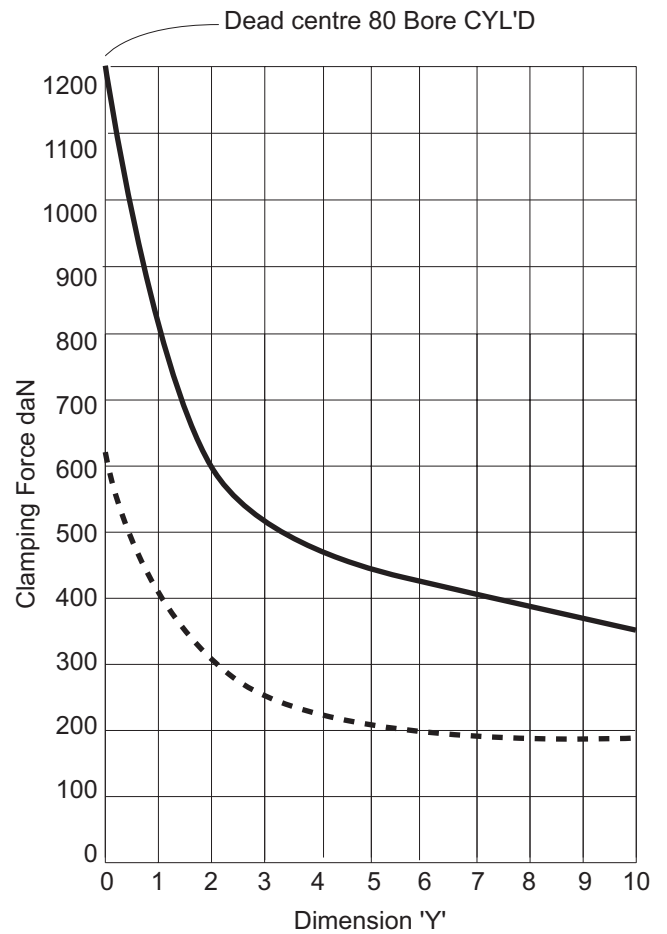
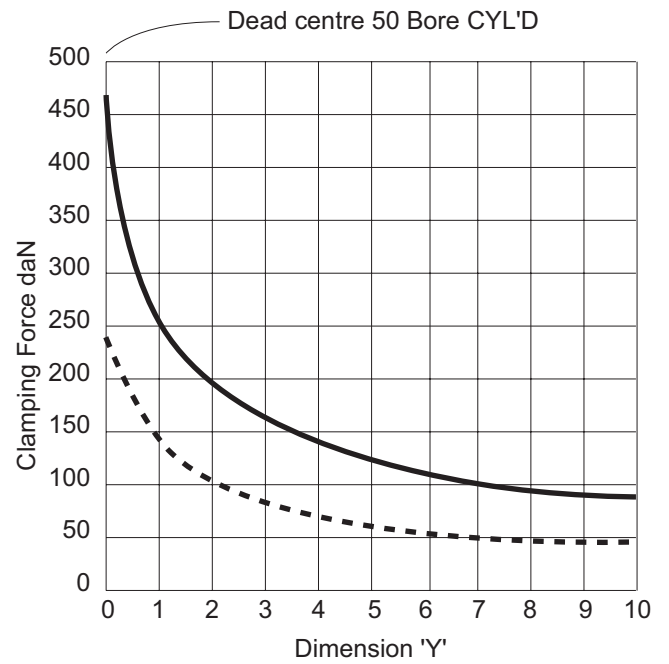
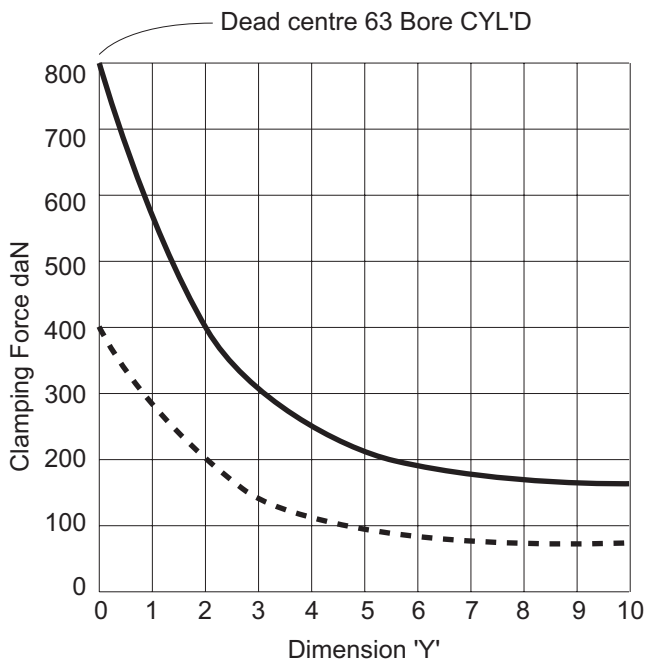
example showing the break down of the order code:



# CLAMPING FORCES

## Clamping forces for XM, XSM & XUSTP range

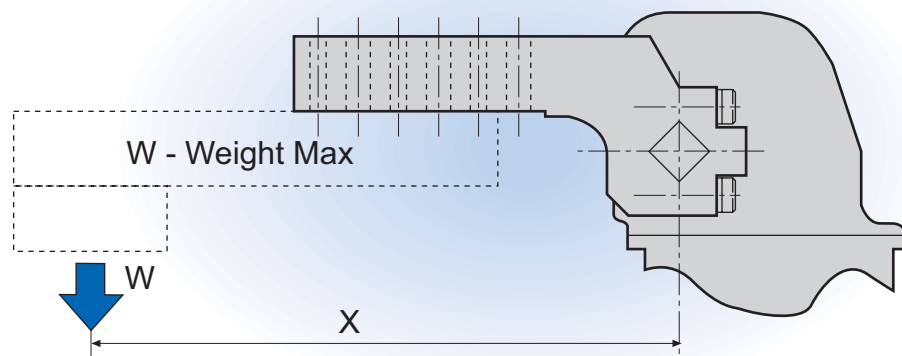
Clamping forces generated at closing distances of clamp arm (dimension Y)



# POWER CLAMP

## Maximum Weight for Clamp Arms

Clamp arm weights for XM, XSM & XUSTP range



X = Center of gravity

Clamp Model	Distance X											
	75mm	100mm	125mm	150mm	175mm	200mm	225mm	250mm	275mm	300mm	350mm	
50	3.85	2.95	2.4	2.05	1.8	1.45	1.15	1.1	NA	NA	NA	
63	5.0	4.05	3.15	2.85	2.35	2.0	1.65	1.5	1.4	1.2	NA	
80	8.5	6.20	5.0	4.1	3.7	3.2	2.4	2.2	2.0	1.9	1.65	

Weights given in Kilograms

**Weights given in this table not to be exceeded**