



Power clamp, slim line body, total protection, intergrated sensing, front & side mounting, 20mm double square.

Maximum air pressure
8 BAR
Normal working 5 BAR Dry air is permissible
Restricters must be used in conjunction with cylinder

Torque 170Nm at 5BAR
Weight 6.5kg

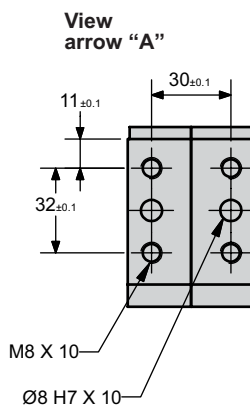
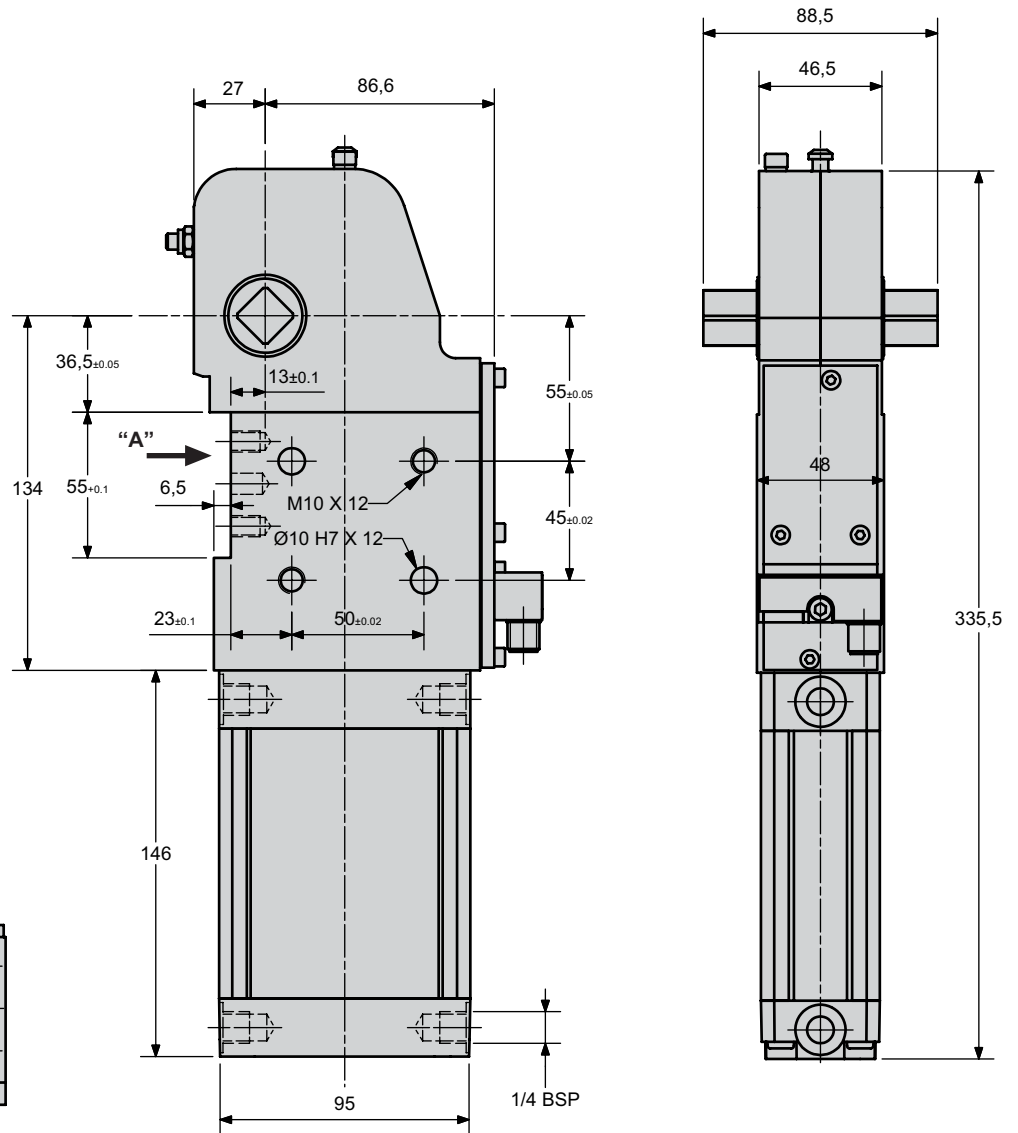
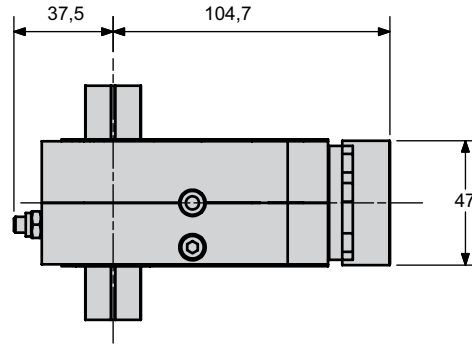
Sensing options
NS No Sensing
ES1 Inductive Switches

Arm options
See data sheet for details.

Opening Angles
30°, 45°, 70°, 90°, 105°, 120°, 135°

Accessories
See data sheet for switch cover

See order guide for further information

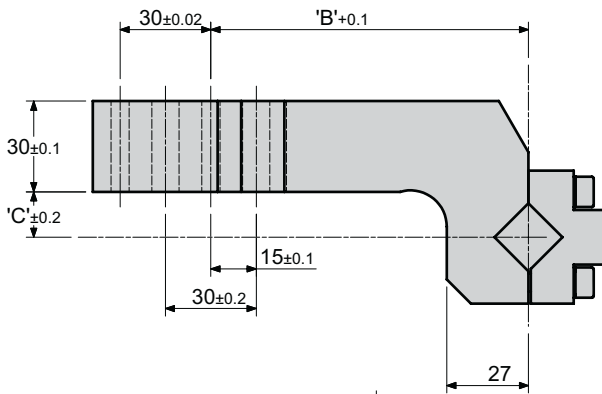
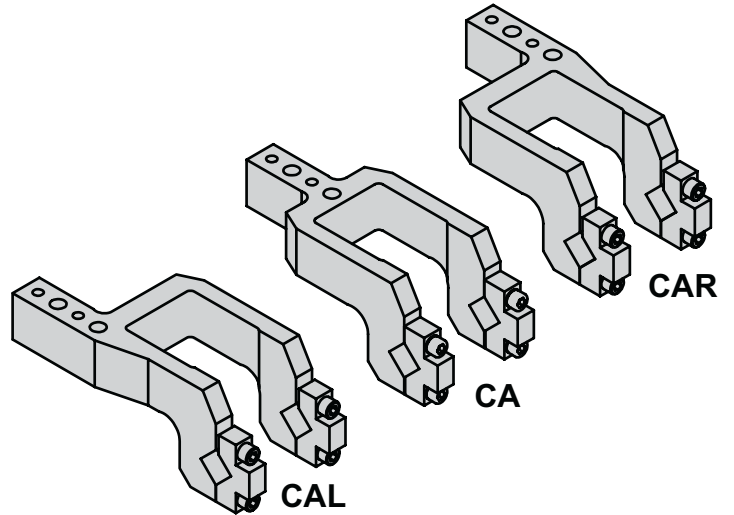
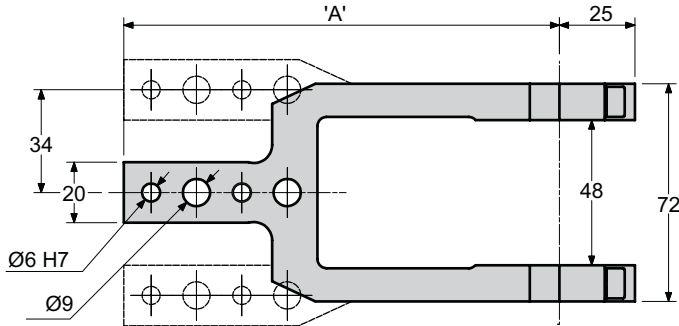


DOUBLE ARMS

X••50



X••50 Clamp Arm Options



CLAMP ARM	'A'	'B'	'C'	WT /kg
TYPE 01	144	105	15	1.2
TYPE 02	144	105	40	1.3

TO ORDER :

See order guide for further information

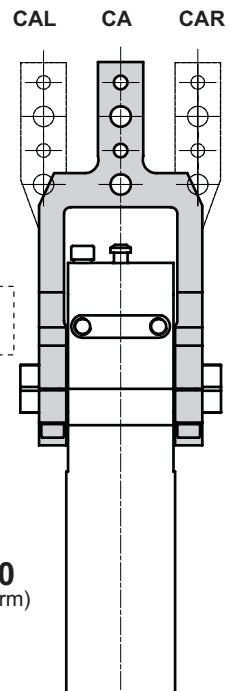
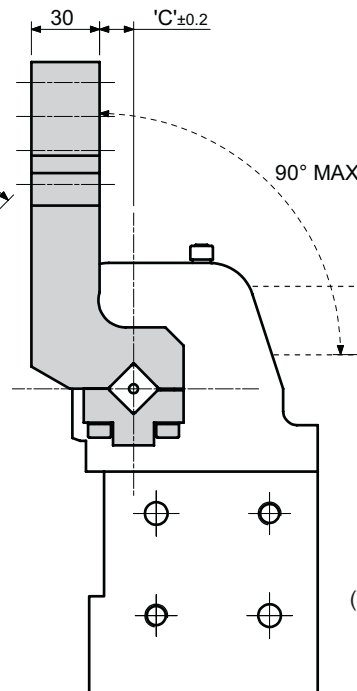
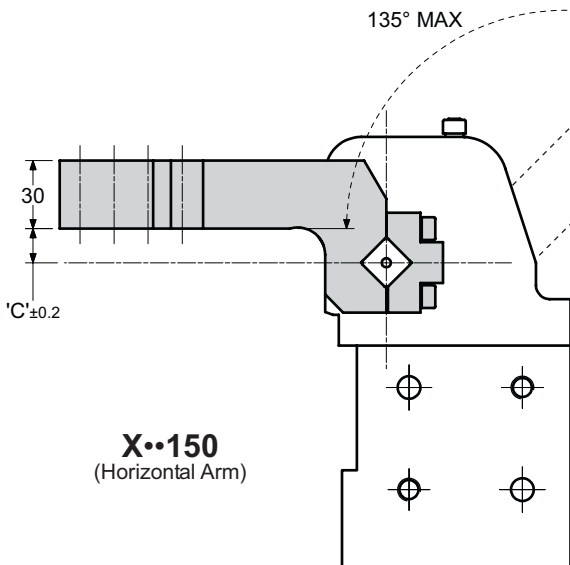
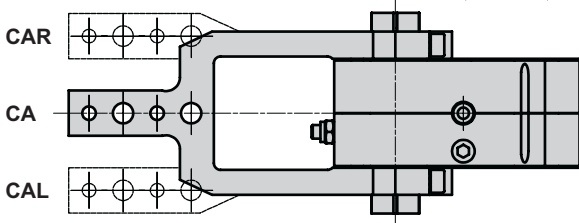
X••150-D-ES1- **CA** - **01** - 090

Arm Type

- CA Centre arm
- CAR Right hand arm
- CAL Left hand arm

Offset

- 01 Arm type 1
- 02 Arm type 2

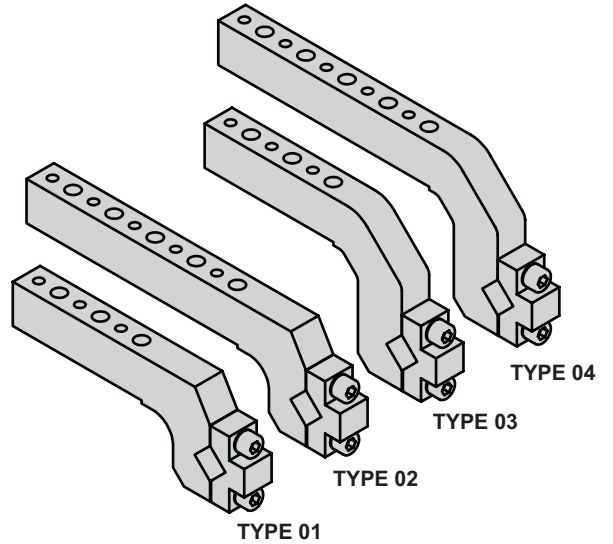
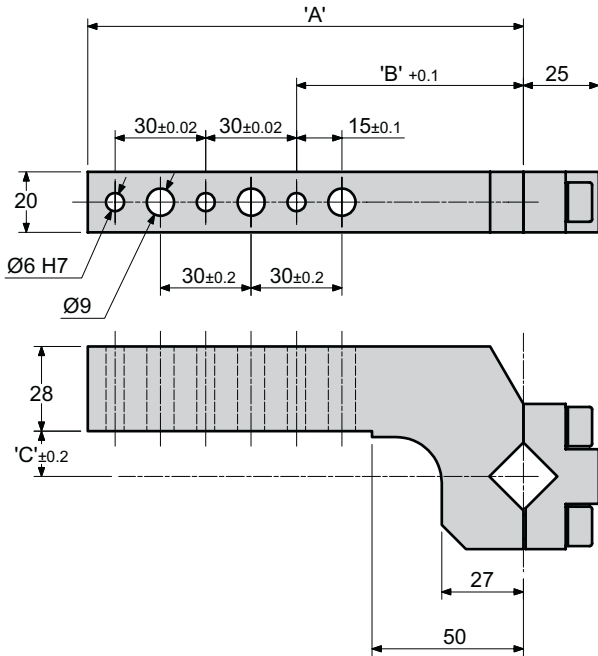


SINGLE ARMS

X••50



X••50 Clamp Arm Options



CLAMP ARM	'A'	'B'	'C'	WT kg
TYPE 01	144	75	15	0.9
TYPE 02	204	105	15	1.1
TYPE 03	144	75	45	1.0
TYPE 04	204	105	45	1.2

TO ORDER :

See order guide for further information

X••150-D-ES1- RA - 01 - 090

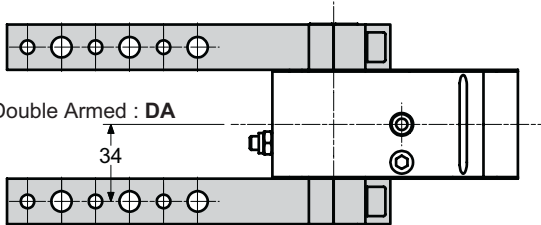
Arm Type

- RA Right hand arm
- LA Left hand arm
- DA Double arm

Arm options

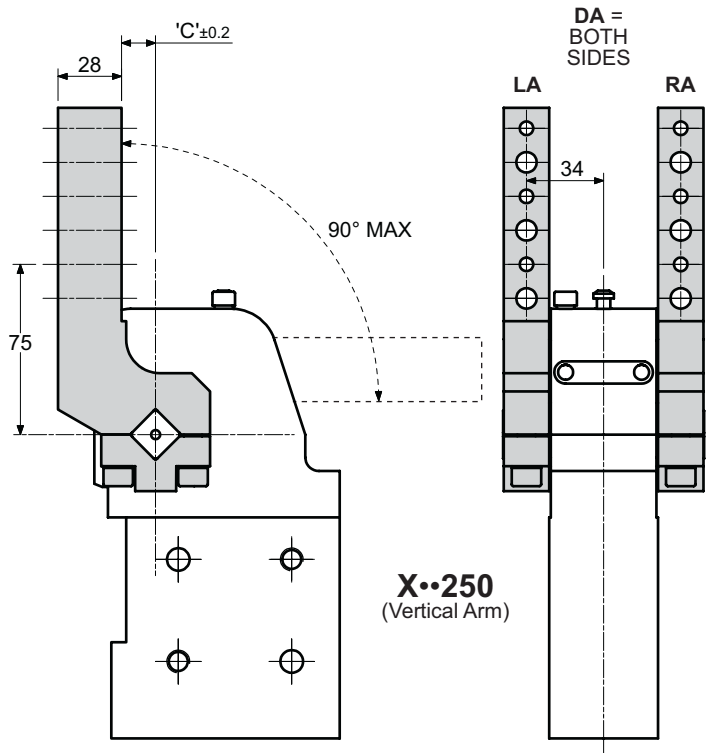
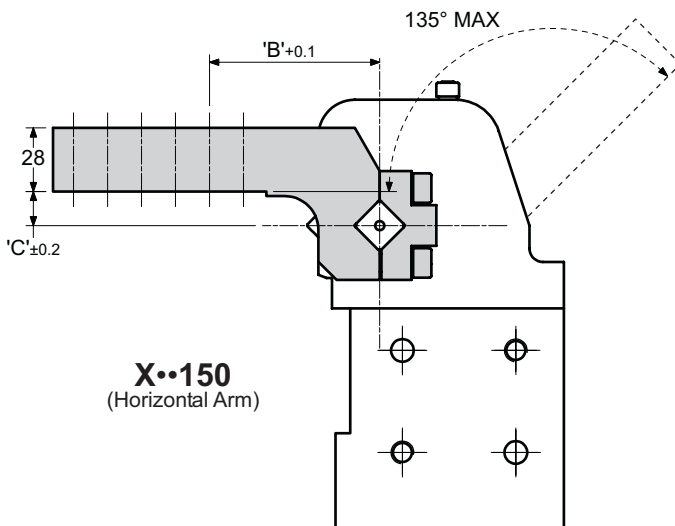
- 01 Arm type 1
- 02 Arm type 2
- 03 Arm type 3
- 04 Arm type 4

Right Hand Arm RA



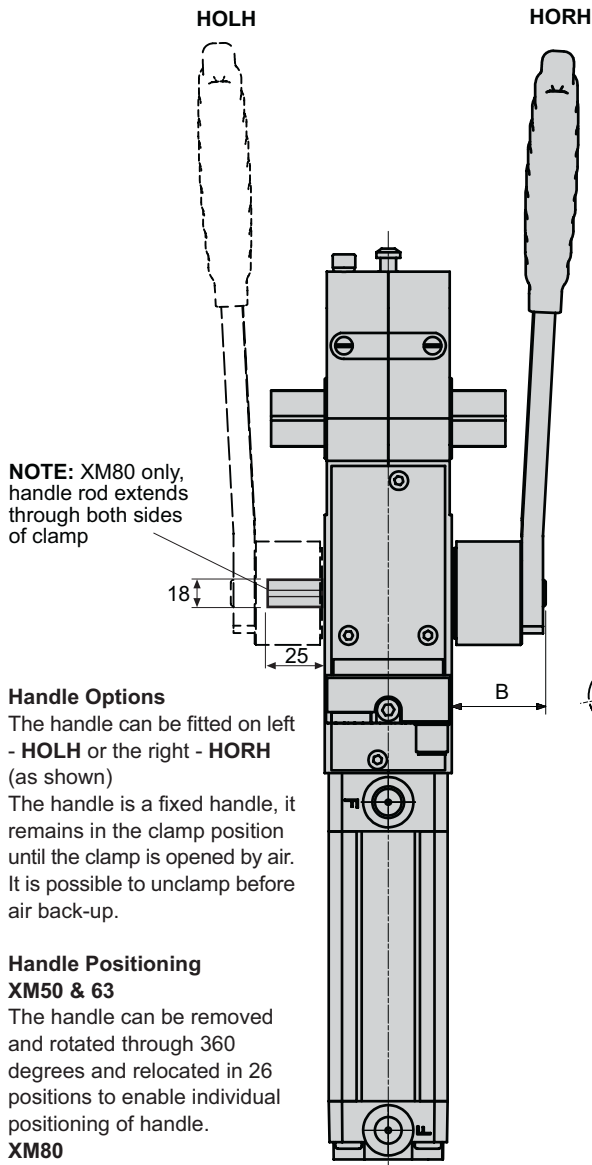
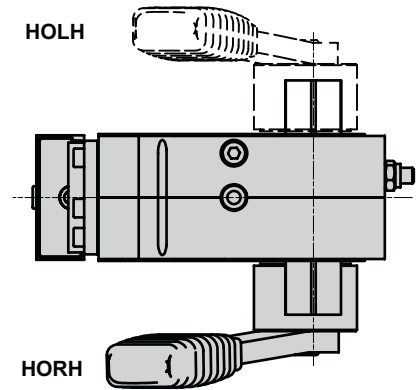
Double Armed : DA

Left Hand Arm LA





Power clamp, hand applied, slim line body, total protection, intergrated sensing, front & side mounting, 20mm double square.



NOTE: XM80 only, handle rod extends through both sides of clamp

Handle Options

The handle can be fitted on left - **HOLH** or the right - **HORH** (as shown)

The handle is a fixed handle, it remains in the clamp position until the clamp is opened by air. It is possible to unclamp before air back-up.

Handle Positioning

XM50 & 63

The handle can be removed and rotated through 360 degrees and relocated in 26 positions to enable individual positioning of handle.

XM80

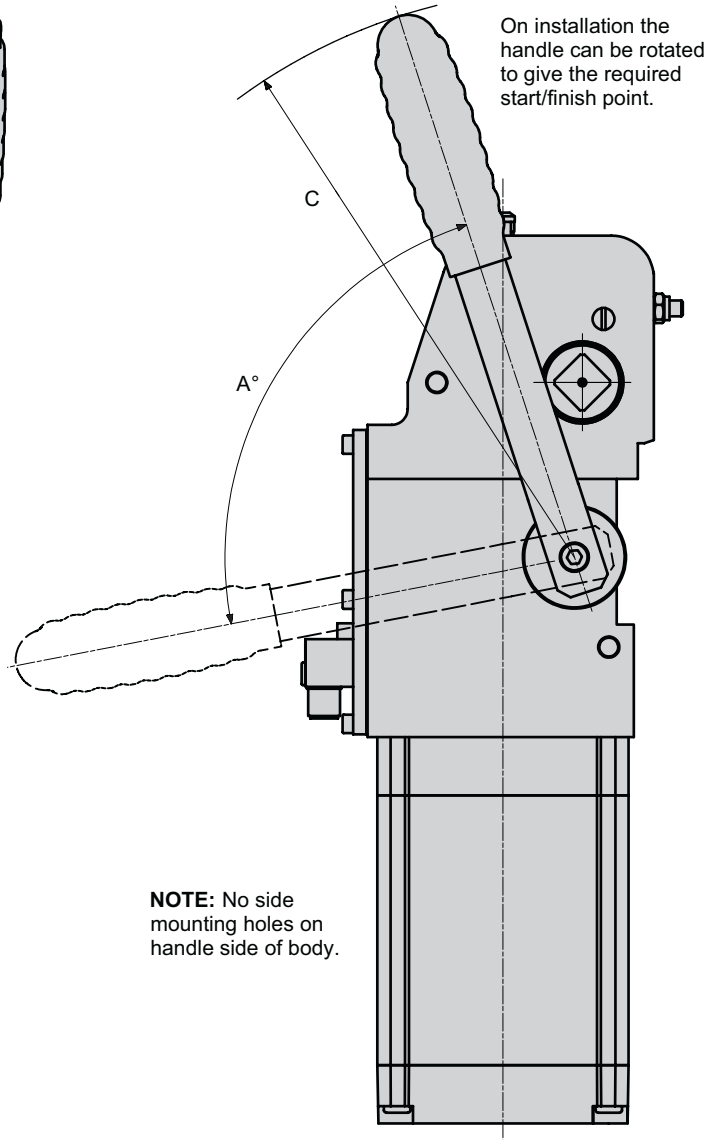
The handle is supplied loose to enable individual positioning of handle, weld on assembly.

Opening Angles

max 120°

See order guide for further information

5/3 Valve required for central positioning



NOTE: No side mounting holes on handle side of body.

	A	B	C
XM50-D	83°	36	215
XM63-D	97°	36	235
XM80-D	94°	49	250



Locking Quadrant Power clamp, slim line body, total protection, intergrated sensing, side mounting.

Locking Quadrant

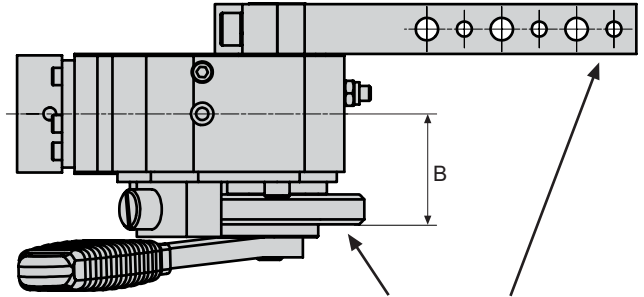
Retains clamp arm in open position without air supply. If the air supply is removed from the clamp when in the open position, for any reason: safety, circuit design, hand applied applications, supply failure, the clamp arm will not fall closed.

Typical application: Hand applied clamps with opening angles of less than 90 degrees (or when mounted at an angle) When the pneumatic valve moves into the neutral position to allow hand application.

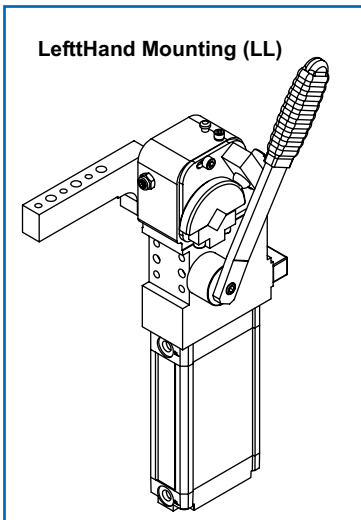
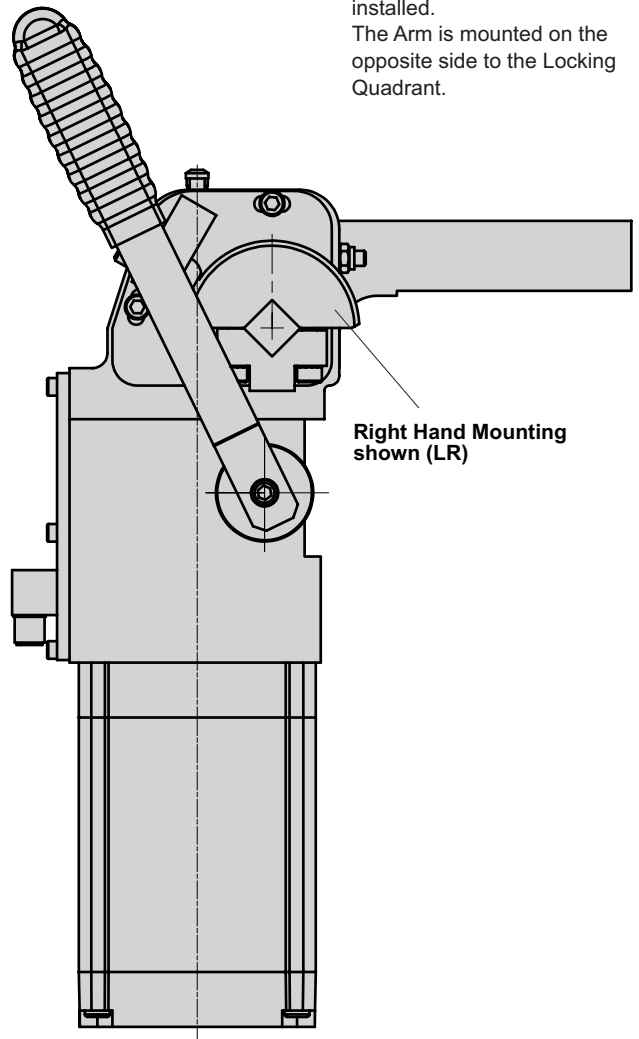
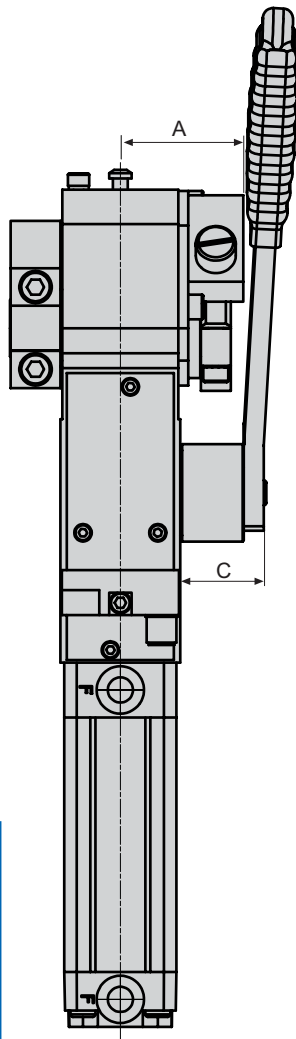
Options:

1. 50 & 63 bore clamps.
2. Standard & hand applied clamps
3. Single arm only

See order guide for further information



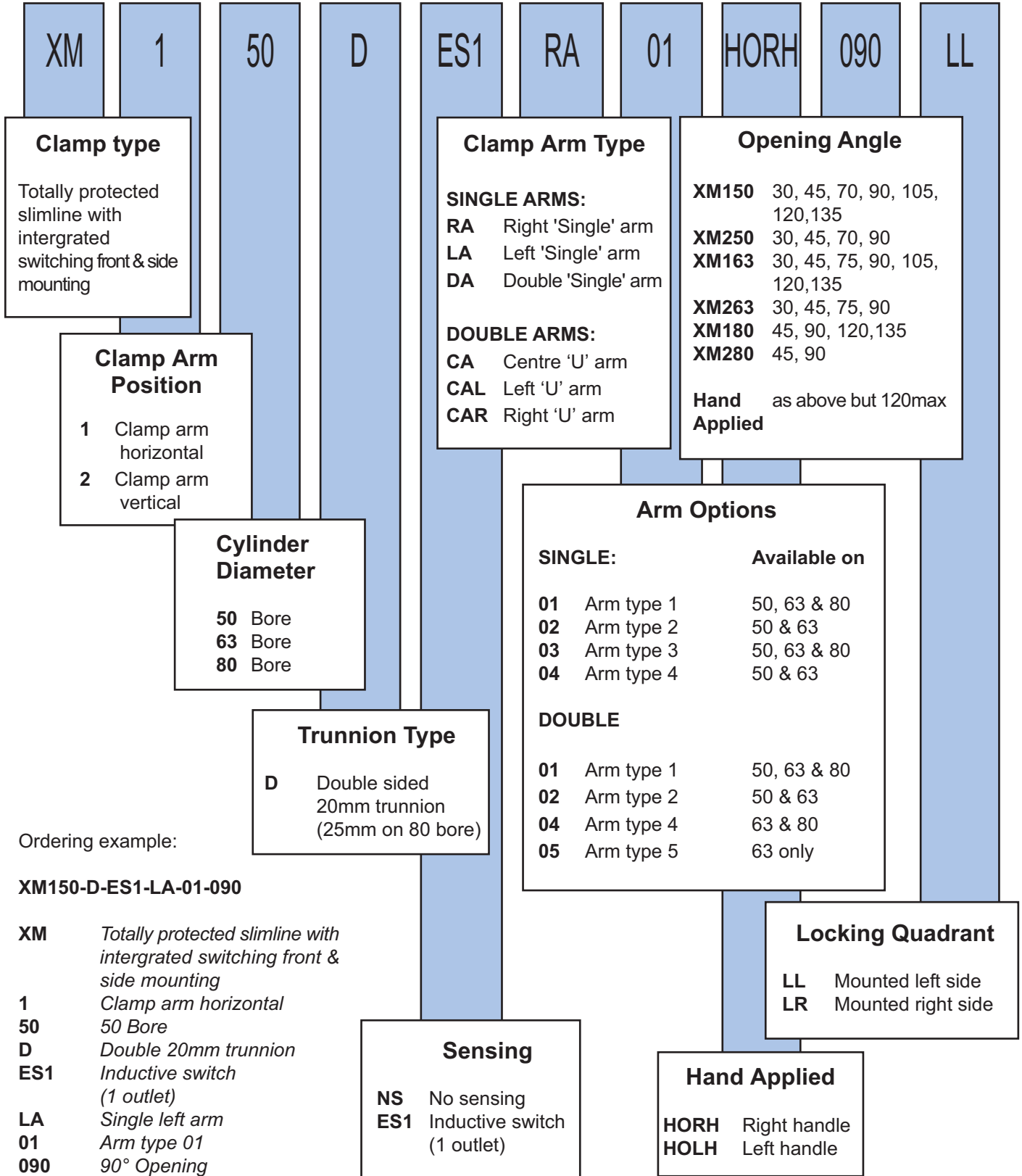
NOTE: It is only possible to use a single Clamp Arm when a Locking Quadrant is installed. The Arm is mounted on the opposite side to the Locking Quadrant.



	A	B	C
XM50-L	52	47.3	36
XM63-L	49.3	44.3	36

Order code guide for XM power Clamp products

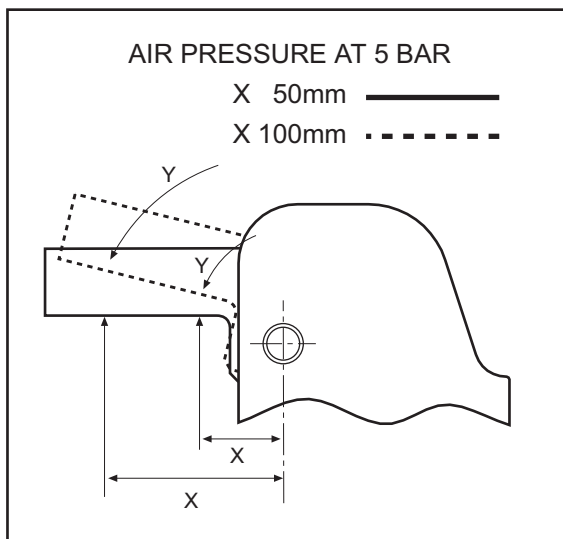
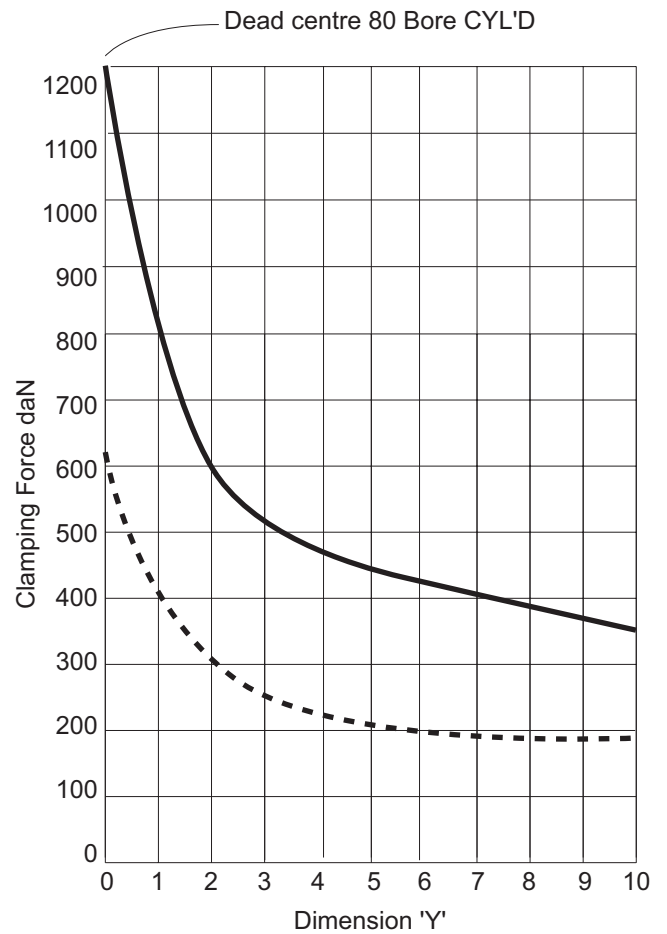
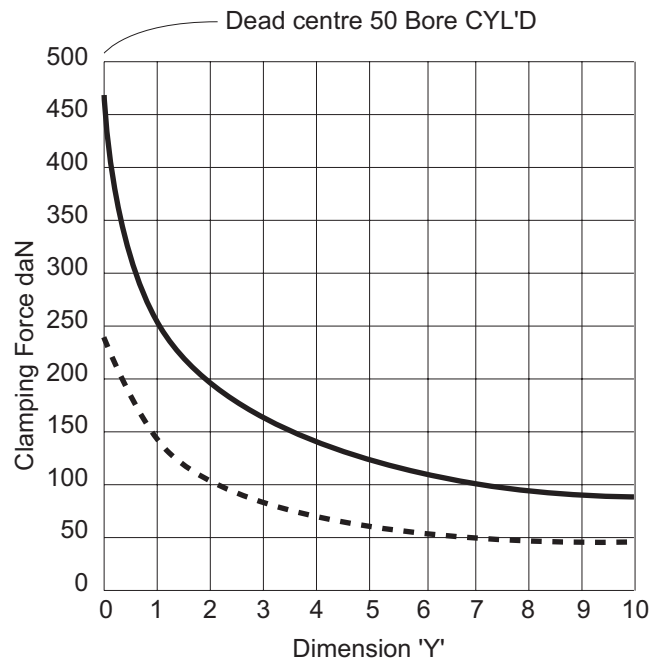
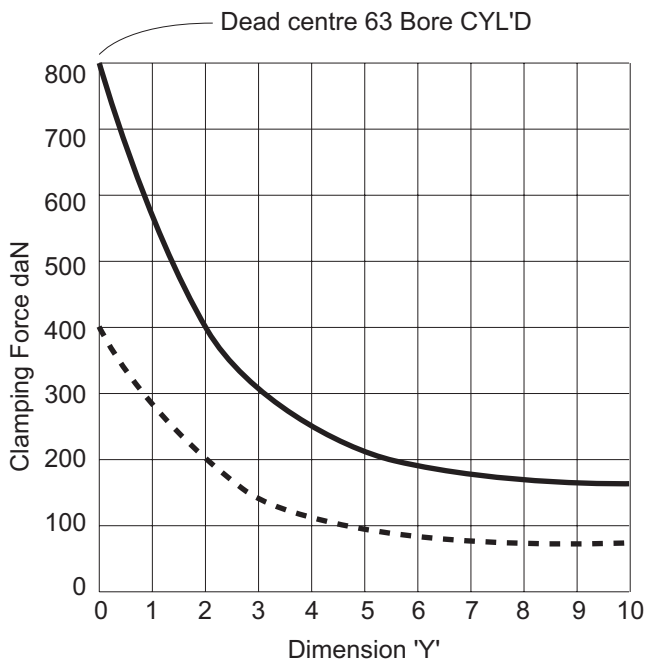
example showing the break down of the order code:



CLAMPING FORCES

Clamping forces for XM, XSM & XUSTP range

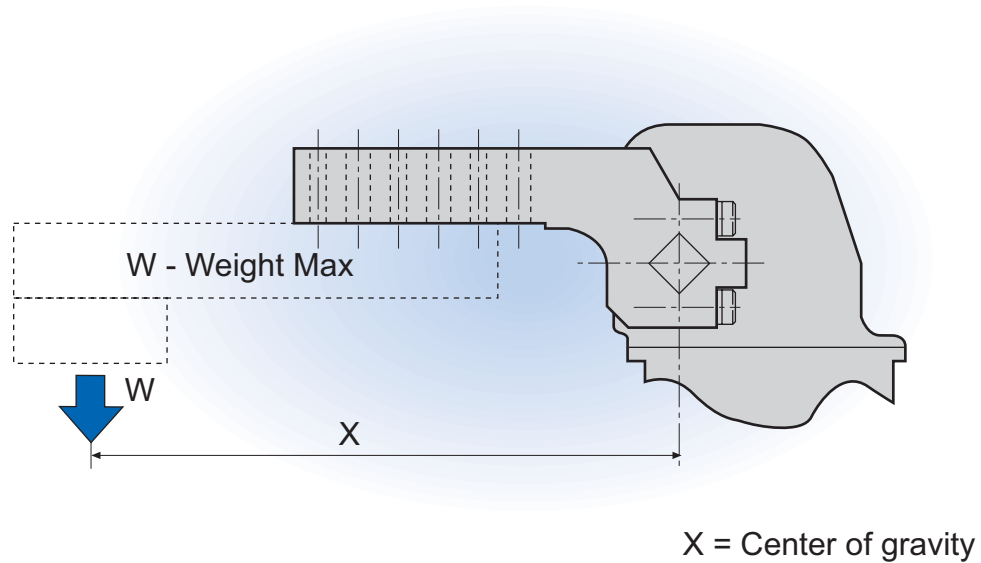
Clamping forces generated at closing distances of clamp arm (dimension Y)



POWER CLAMP

Maximum Weight for Clamp Arms

Clamp arm weights for XM, XSM & XUSTP range



Clamp Model	Distance X											
	75mm	100mm	125mm	150mm	175mm	200mm	225mm	250mm	275mm	300mm	350mm	
50	3.85	2.95	2.4	2.05	1.8	1.45	1.15	1.1	NA	NA	NA	
63	5.0	4.05	3.15	2.85	2.35	2.0	1.65	1.5	1.4	1.2	NA	
80	8.5	6.20	5.0	4.1	3.7	3.2	2.4	2.2	2.0	1.9	1.65	

Weights given in Kilograms

Weights given in this table not to be exceeded