

HOOK CLAMP

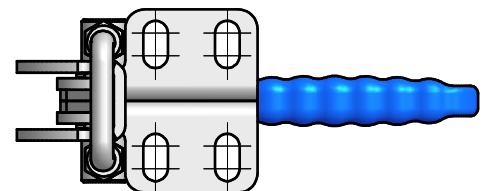
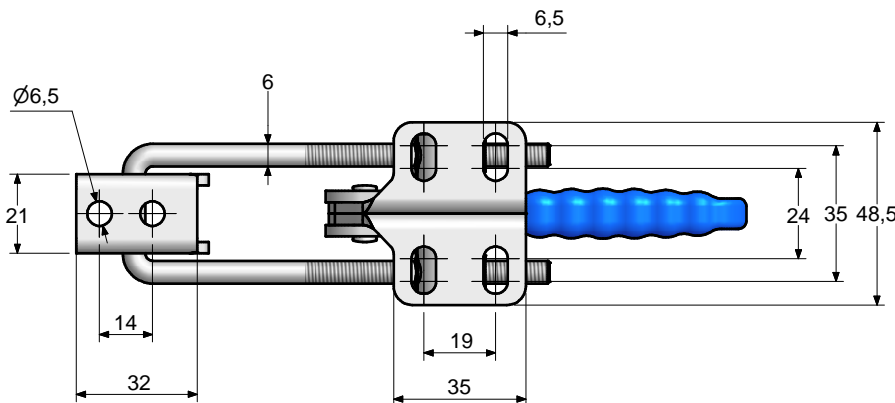
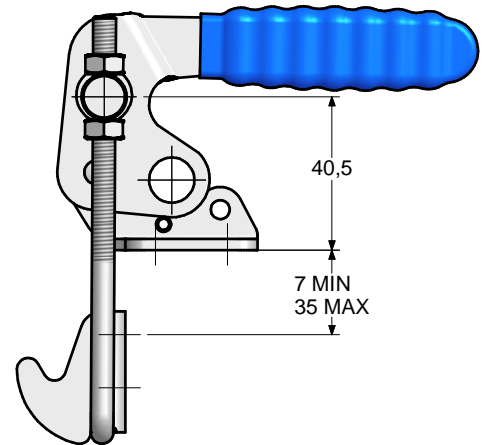
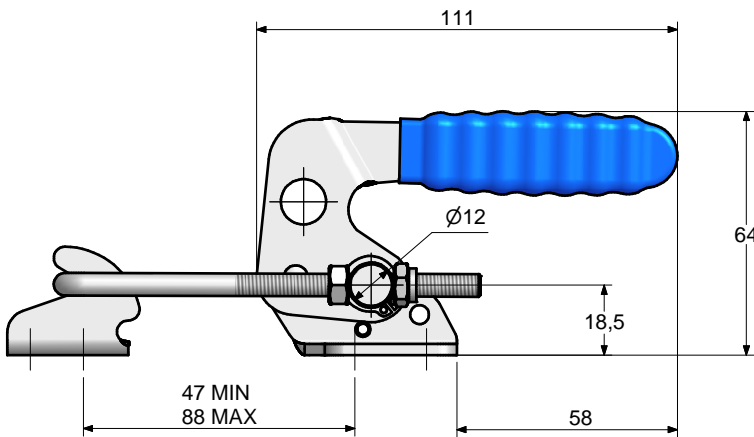
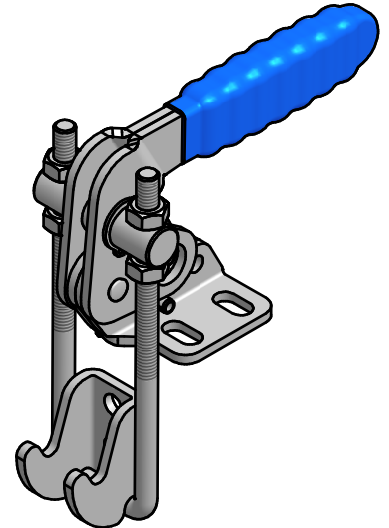
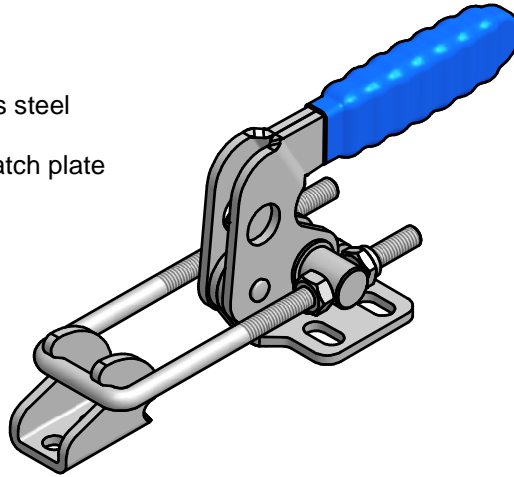
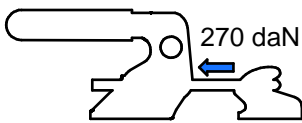
HC24



Material: Stainless steel
Finish: Polished
Supplied with: Hook, Latch plate
Max holding force: 410daN
Weight: 0.3Kgs
Clamping pressure:

HC24SSH

HC24SSV



Different hook lengths available if required