



**Pneumatic Gripper, Locking, 40 Bore, Single Clamp Arm, Intergrated sensing**

Max air pressure 8 Bar  
Normal working 5 bar  
Restrictors must be used in conjunction with cylinder

Clamping Force 1400N (5 Bar)  
Weight 2.6 Kg

**Support Block Options**

- AX No Support block
- A1 Single Support Block(1 pin)
- A2 Double Support Block(2 pins)

**Sensing Options**

- PX No sensing
- PL Inductive switch left side
- PR Inductive switch right side

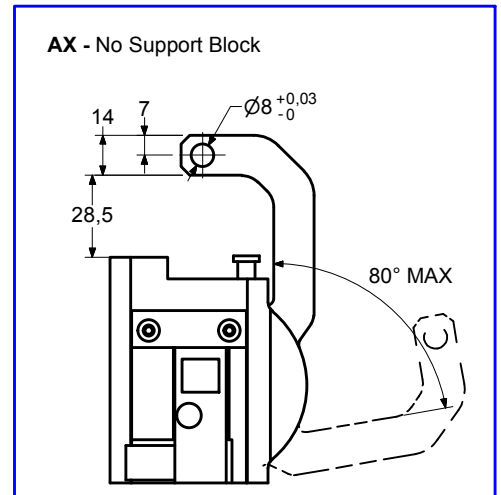
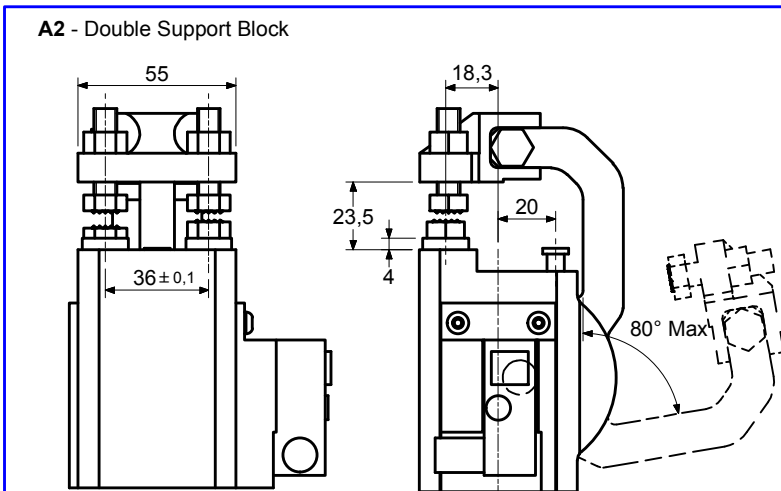
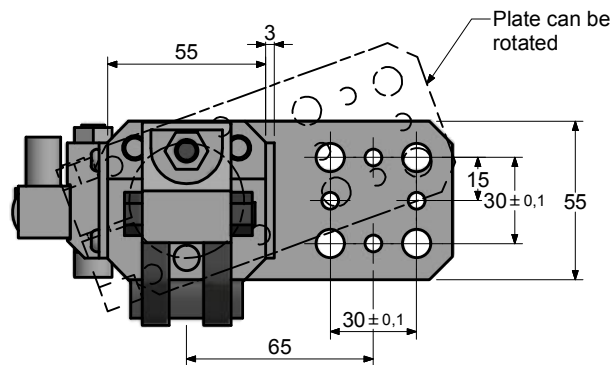
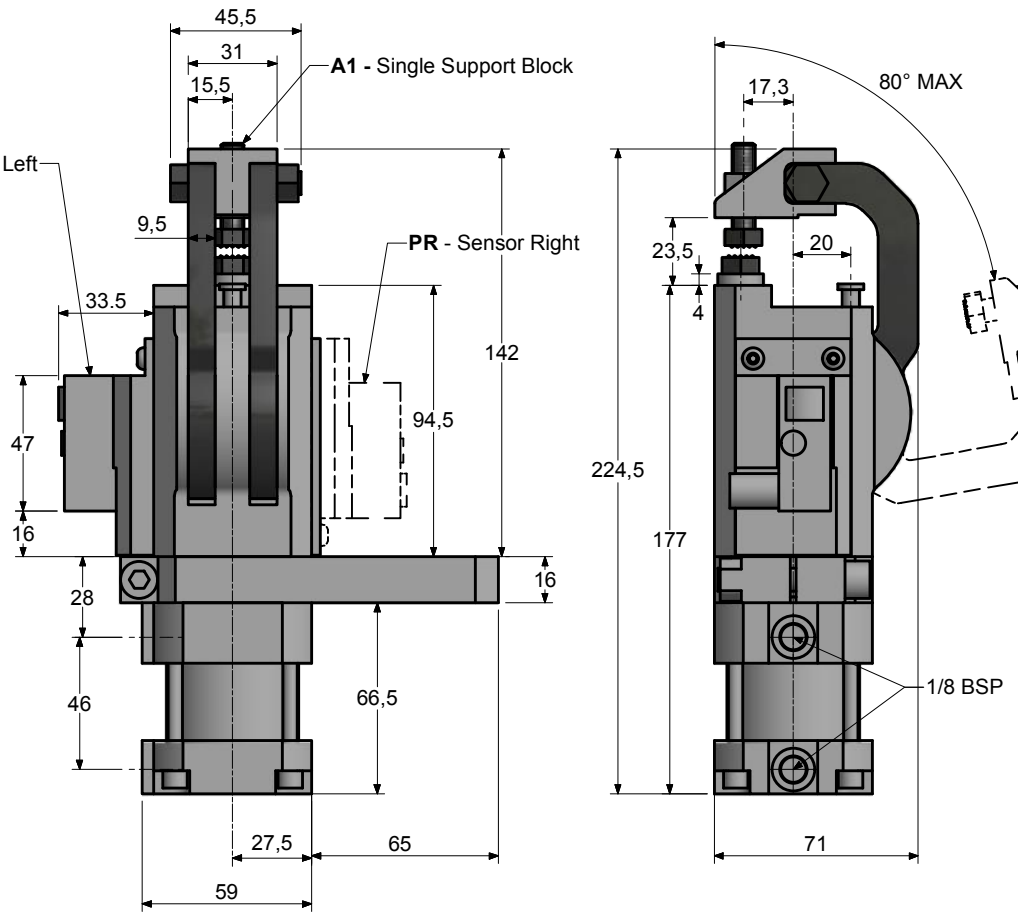
**Mounting Plate Options**

See data sheets for details

**Opening Angles**

22.5, 45, 80 Degrees Max

See order guide for more information





**Pneumatic Gripper, Locking, 40 Bore, Double Clamp Arm, Intergrated sensing.**

Max air pressure 8 Bar  
Normal working 5 bar  
Restrictors must be used in conjunction with cylinder

Clamping Force 600N (5 Bar)  
Weight 2.6 Kg

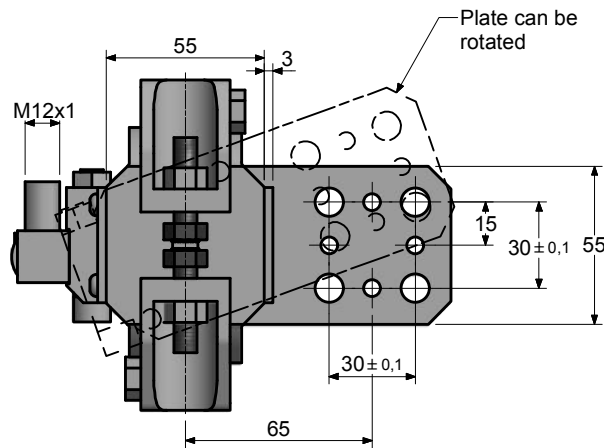
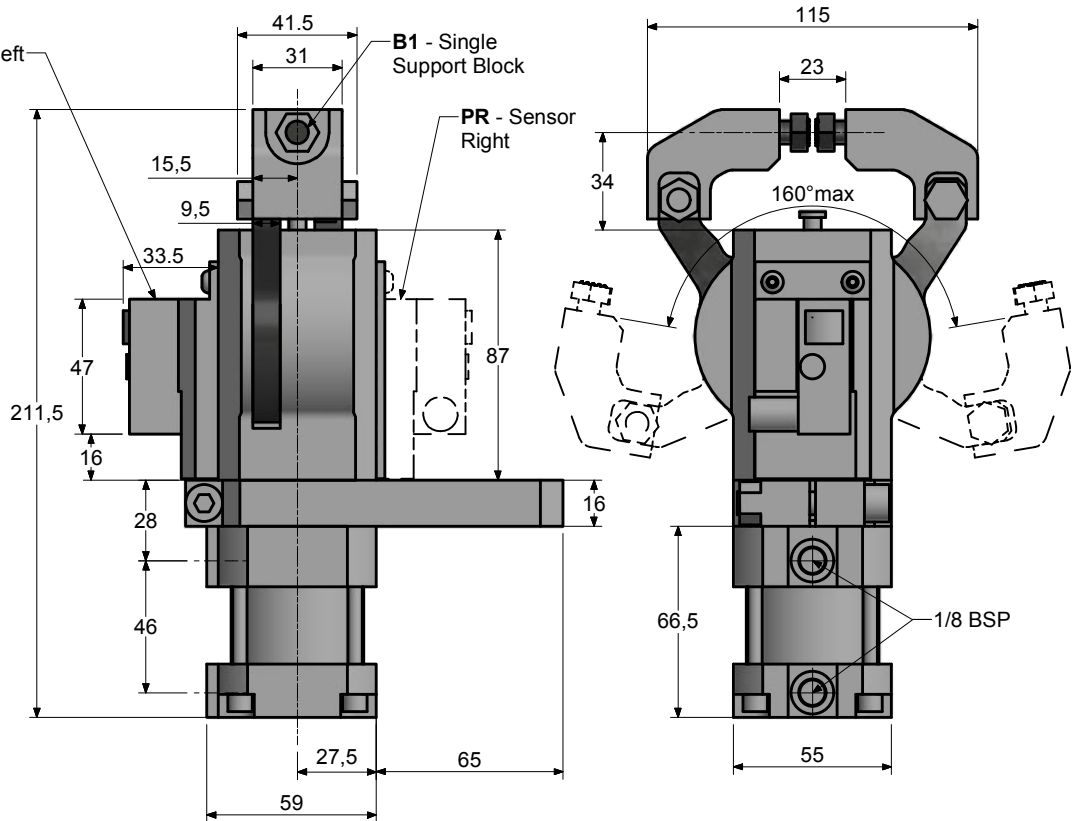
**Support Block Options**  
BX No Support block  
B1 Single Support Block(1 pin)  
B2 Double Support Block(2 pins)

**Sensing Options**  
PX No sensing  
PL Inductive switch left side  
PR Inductive switch right side

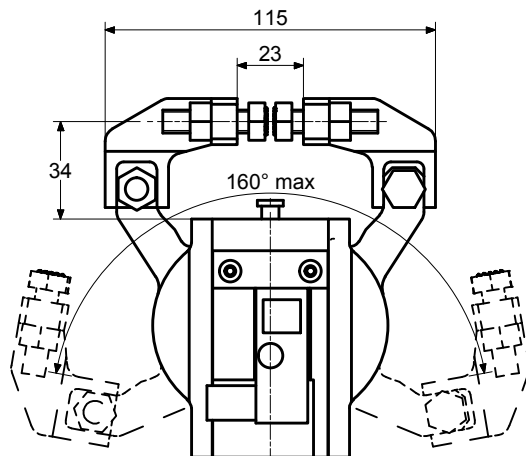
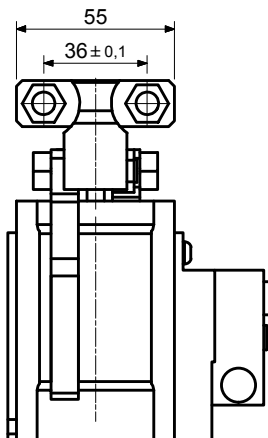
**Mounting Plate Options**  
See data sheets for details

**Opening Angles**  
45, 90, 160 Degrees Max

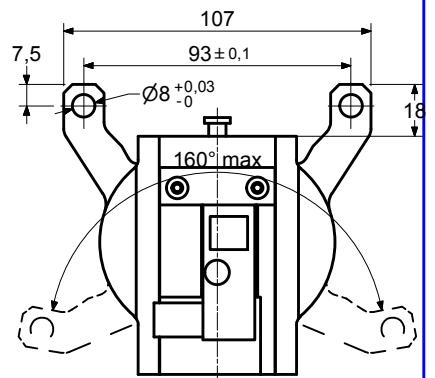
See order guide for more information



**B2 - Double Support Block**

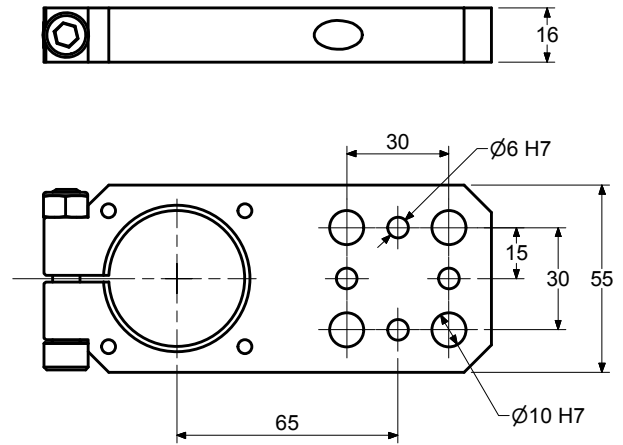
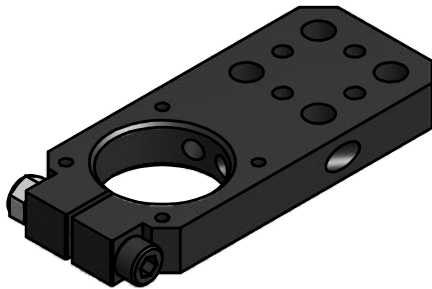


**BX - No Support Block**



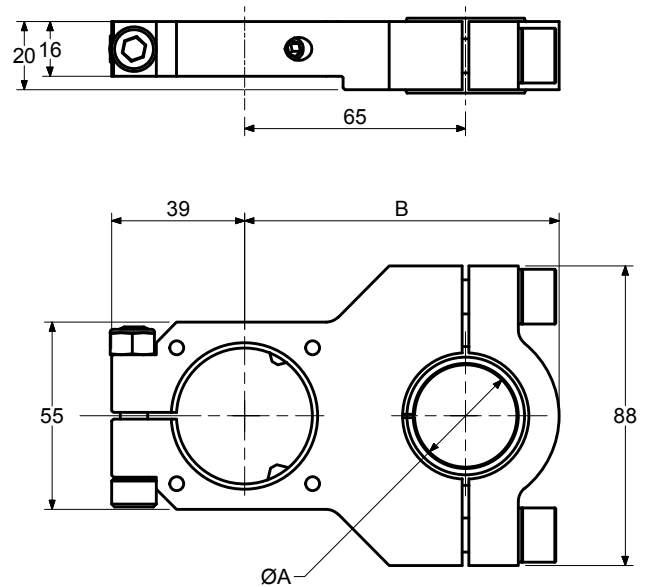
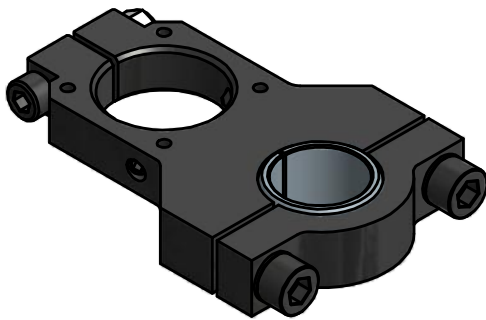


### Mounting Plate Type A



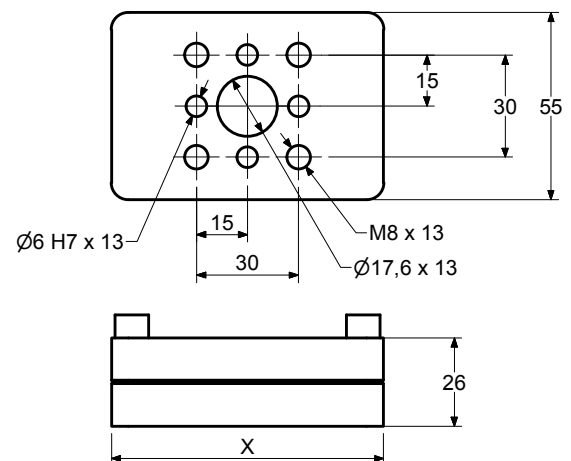
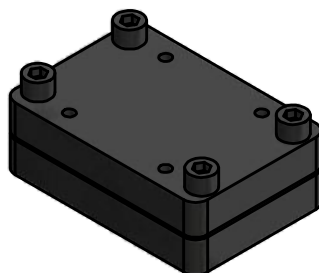
### Mounting Plate Type B

Part No	Dia A	B
B25	25	92.5
B30	30	92.5
B38.1	38.1	101
B40	40	101



### Mounting Plate Type C & D

Type	X
C	80
D	110



Tolerances: Screw holes  $\pm 0.1$ , Dowel Holes  $\pm 0.02$

## Order code guide for GK40 Gripper clamp products

example showing the break down of the order code:

