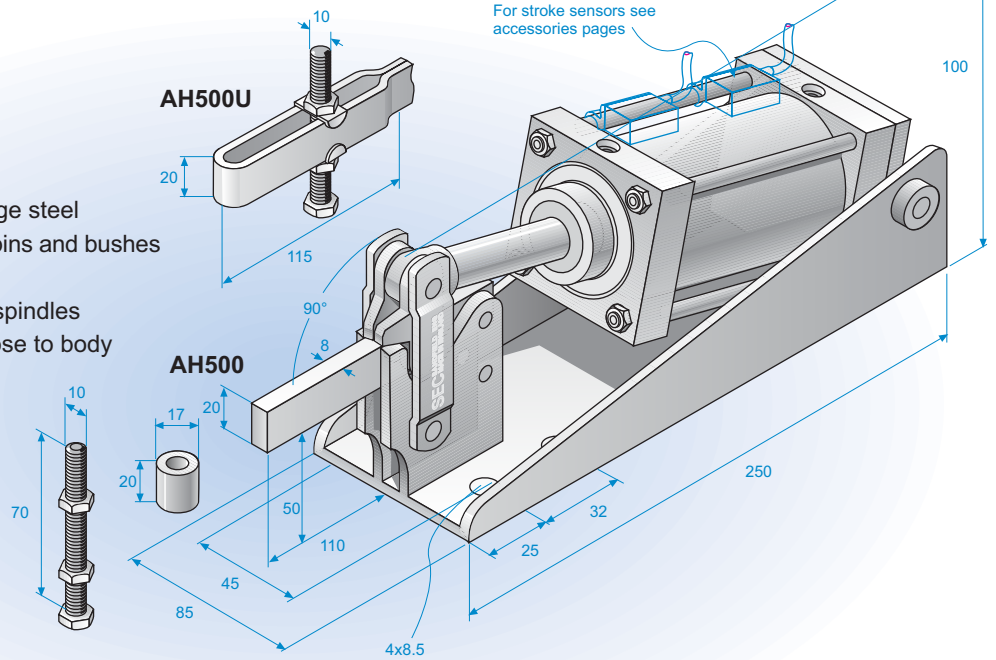
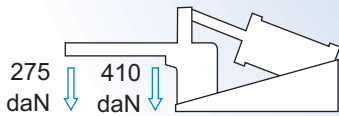


# AIR OPERATED HORIZONTAL CLAMPS

## AH500

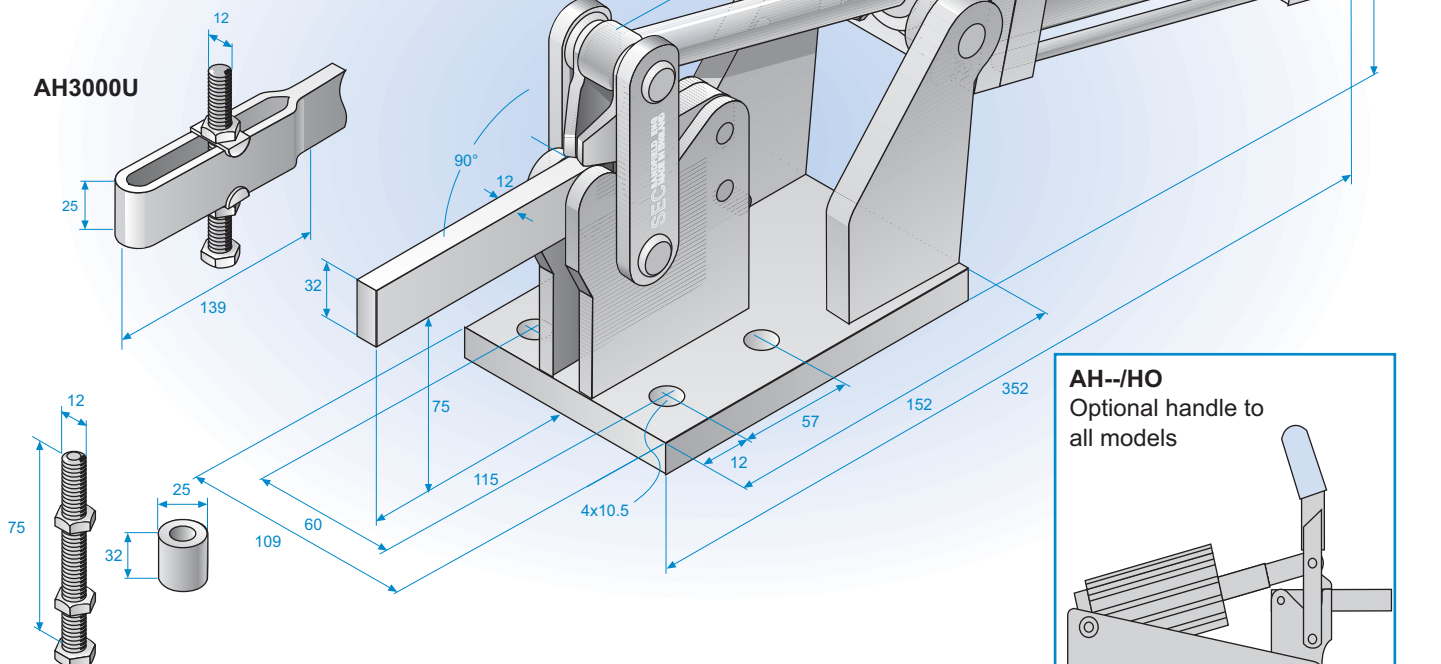


- Material:** Heavy gauge steel  
 Hardened pins and bushes
- Finishing:** Zinc Plated
- Supplied with:** 10x75mm spindles
- Max holding pressure:** 520daN close to body
- Weight:** 3.2Kgs
- Operating air pressure:** 4-6BAR
- Clamping pressure:**

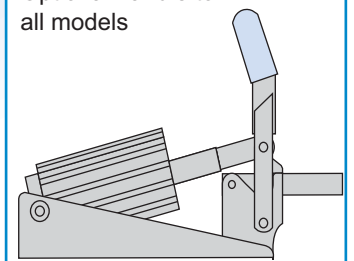


## AH3000

- Material:** Heavy gauge steel  
 Hardened pins and bushes
- Finishing:** Chemi blacked
- Supplied with:** 12x75mm spindles
- Max holding pressure:** 1500daN close to body
- Weight:** 4.8Kgs
- Operating air pressure:** 4-6BAR
- Clamping pressure:**



**AH--/HO**  
 Optional handle to all models



Please state at time of ordering if magnetic cylinders are required

Refer to accessory pages for further information