



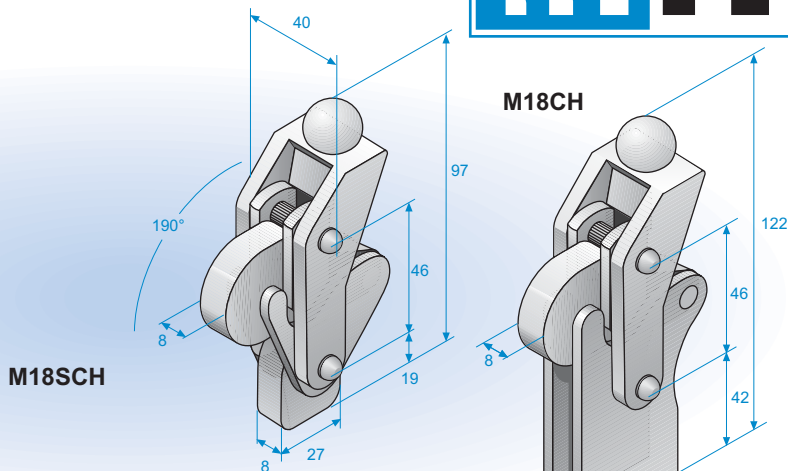
### M18S/CH

**Material:** Heavy gauge steel  
Hardened pins and bushes

**Max Holding pressure:** 600daN

**Weight:** 0.5Kgs

**Clamping pressure:** 140daN close to body



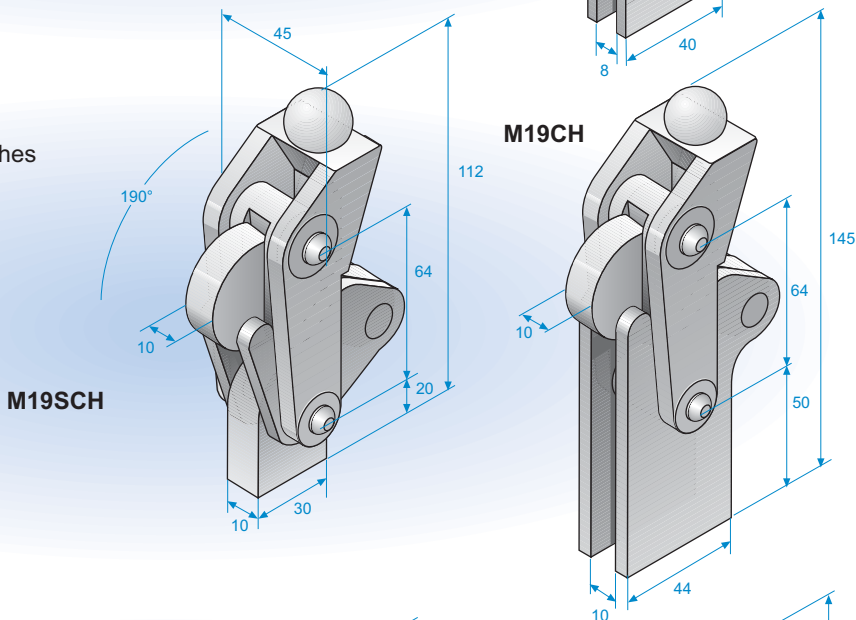
### M19S/CH

**Material:** Heavy gauge steel  
Hardened pins and bushes

**Max Holding pressure:** 800daN

**Weight:** 0.75Kgs

**Clamping pressure:** 190daN close to body



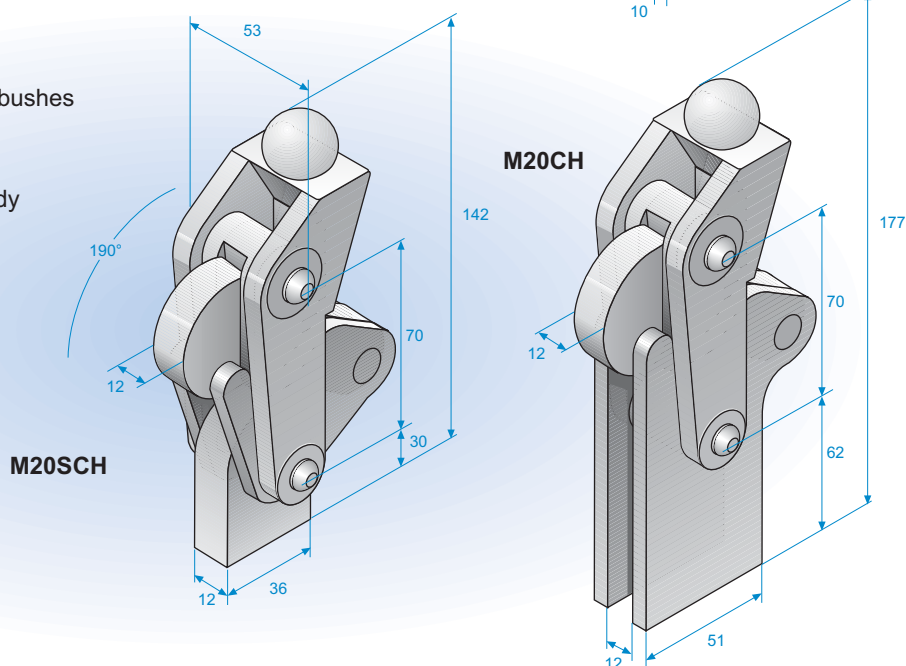
### M20S/CH

**Material:** Heavy gauge steel  
Hardened pins and bushes

**Max Holding pressure:** 1300daN

**Weight:** 1.5Kgs

**Clamping pressure:** 280daN close to body



Refer to accessory pages for details on handle retaining clips