

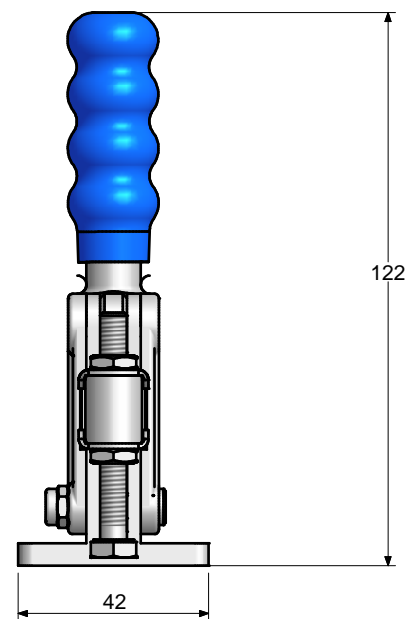
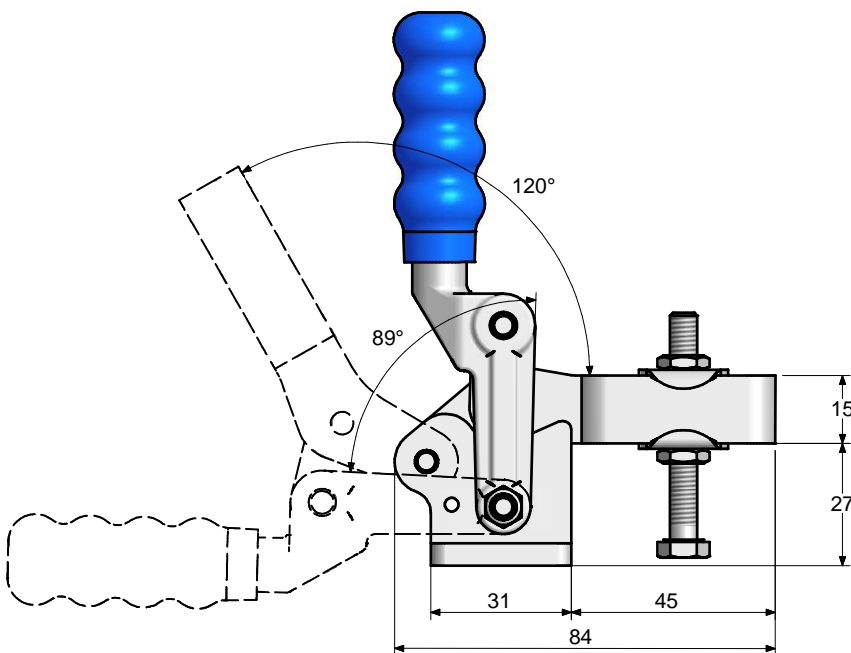
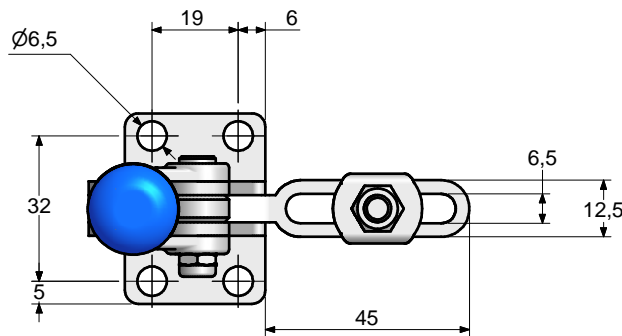
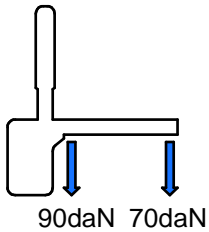
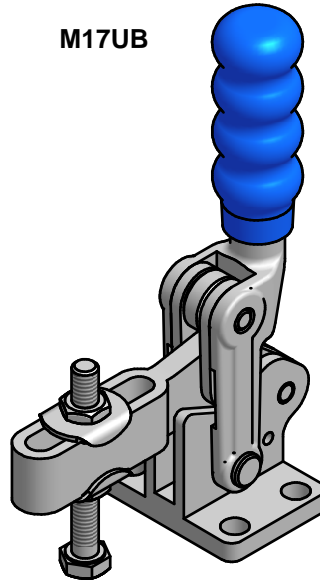
VERTICAL ACTION

M17



M17UB

Material: Heavy gauge steel
 Finish: Chemi black
 Supplied with: M6x50mm spindle
 Max holding force: 320daN
 Weight: 0.28Kgs
 Clamping pressure:



Bar opening angle can be restricted to 35° with stop pin