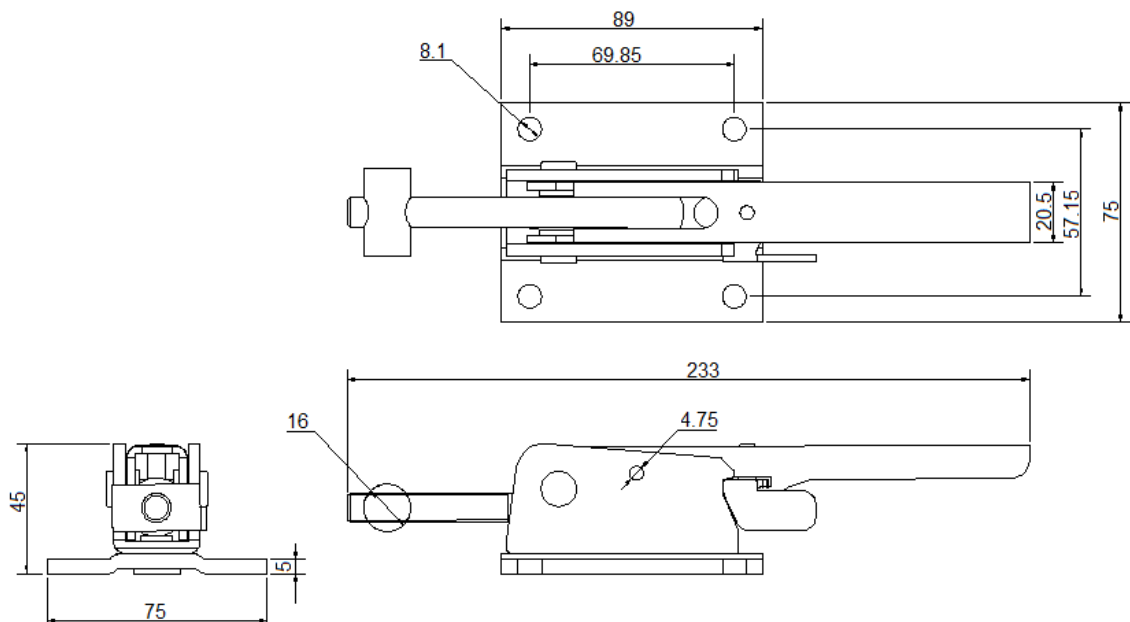
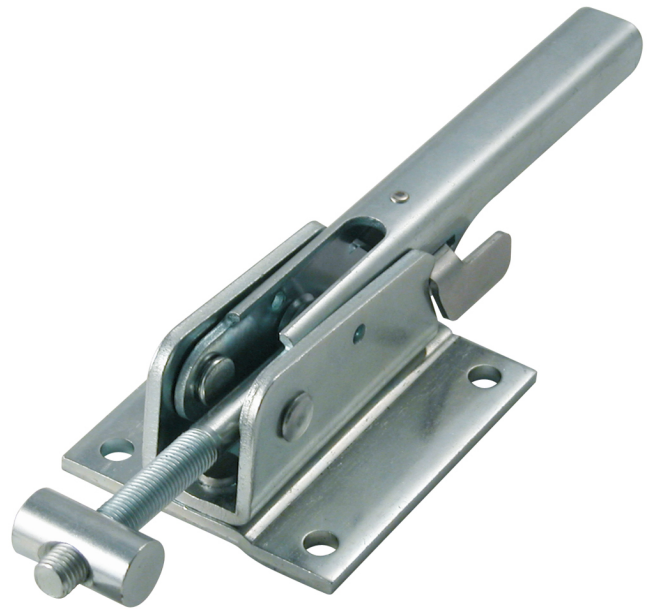


TOGGLE LATCH

HLD233-SL



Material: Mild steel
Finish: Zinc plate passivate (silver blue)
Weight: 0.757 Kg
Padlockable: No
Safety: Yes
Adjustment: 20mm*
Strength/UTS: 2000 Kg**



CATCH PLATE & ACCESSORIES

See PT NO: HLD233-CP

**Adjustment* - Provided by threaded claw or eyebolt. Adjustment allows for fitting tolerance and tension adjustment.

***Strength /UTS* - The figures for the ultimate tensile strength (UTS) have been determined by tensile tests in a normal working load direction on standard products and do not include any safety factors. A maximum load rate of 30mm per minute was applied throughout the tests. The UTS figures are shown in Kilograms and for a safe working load we suggest that approximately half of the ultimate strength figure is used.