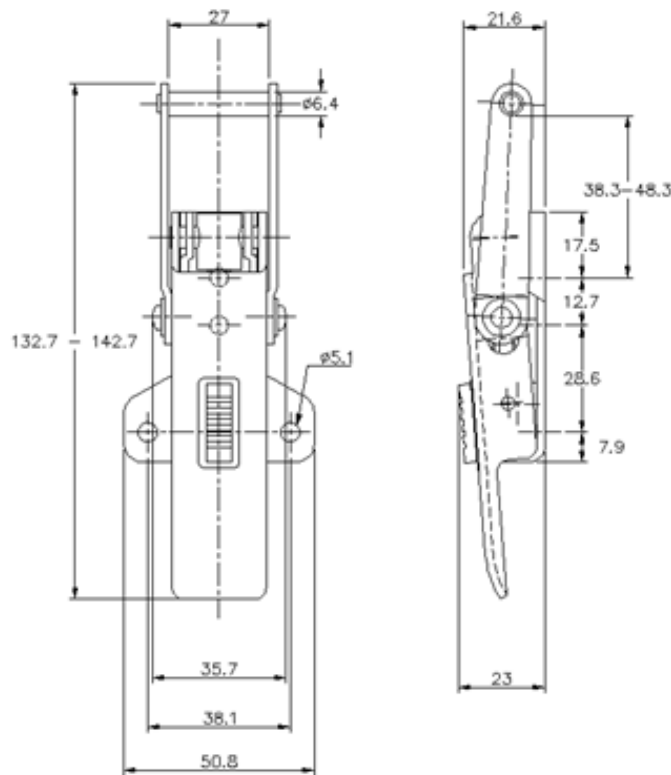


TOGGLE LATCH

HL132/Y-SL



Material: Mild steel
Finish: Zinc plate passivate (yellow)
Weight: 0.1632 Kg
Safety: Yes
Adjustment: 10 mm*
Strength/UTS: 650 Kg**



CATCH PLATE

See PT NO: HL132-CP

**Adjustment* – Provided by internal screwed spindle. Adjustment allows for fitting tolerance and tension adjustment. If the above table shows '0' there is no adjustment available on this fastener.

***Strength /UTS* - The figures for the ultimate tensile strength (UTS) have been determined by tensile tests in a normal working load direction on standard products and do not include any safety factors. A maximum load rate of 30mm per minute was applied throughout the tests. The UTS figures are shown in Kilograms and for a safe working load we suggest that approximately half of the ultimate strength figure is used.