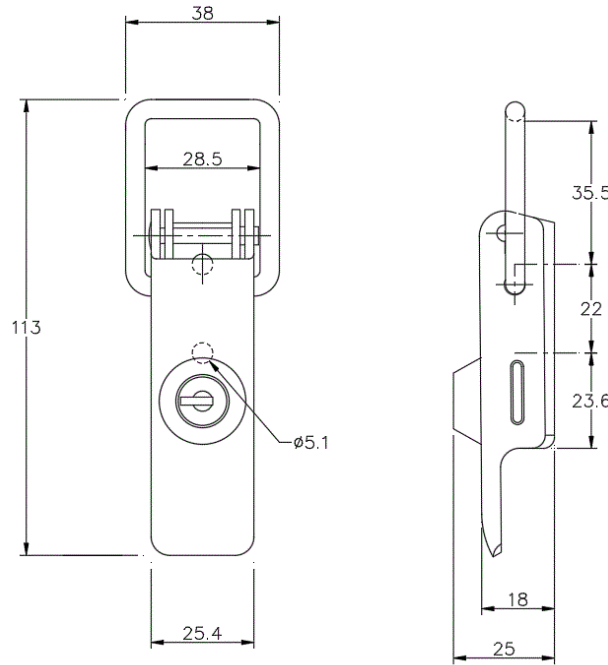


TOGGLE LATCH

HL113-K



Material:	Mild steel
Finish:	Zinc plate passivate (silver blue)
Weight:	0.138 Kg
Padlockable:	No
Safety:	No
Keylock:	Yes
Adjustment:	0mm*
Strength/UTS:	450 Kg**



Catchplates & Accessories

See PT NO: HL01-CP
HL02-CP

**Adjustment* - Provided by threaded claw or eyebolt. Adjustment allows for fitting tolerance and tension adjustment. If the above table shows '0mm' there is no adjustment available on this fastener.

***Strength /UTS* - The figures for the ultimate tensile strength (UTS) have been determined by tensile tests in a normal working load direction on standard products and do not include any safety factors. A maximum load rate of 30mm per minute was applied throughout the tests. The UTS figures are shown in Kilograms and for a safe working load we suggest that approximately half of the ultimate strength figure is used.