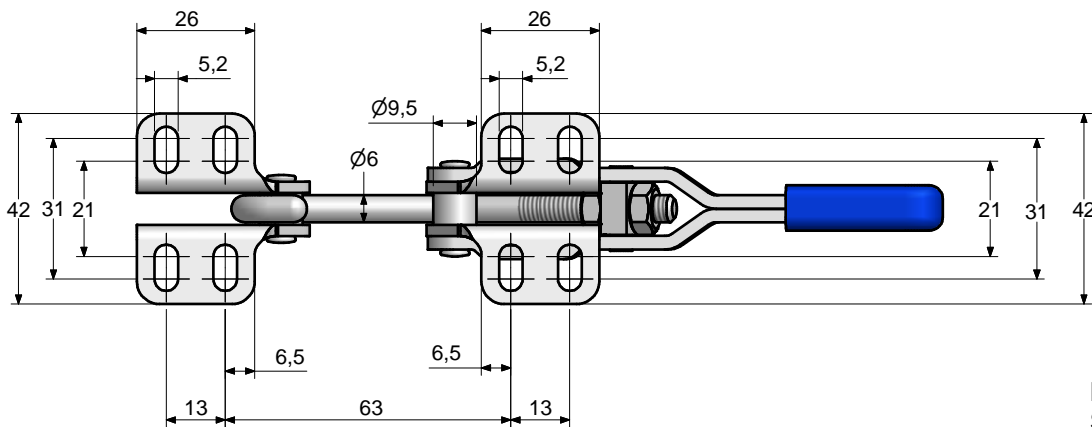
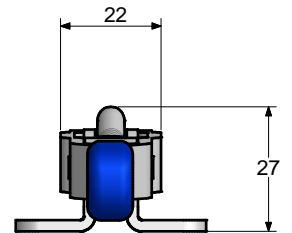
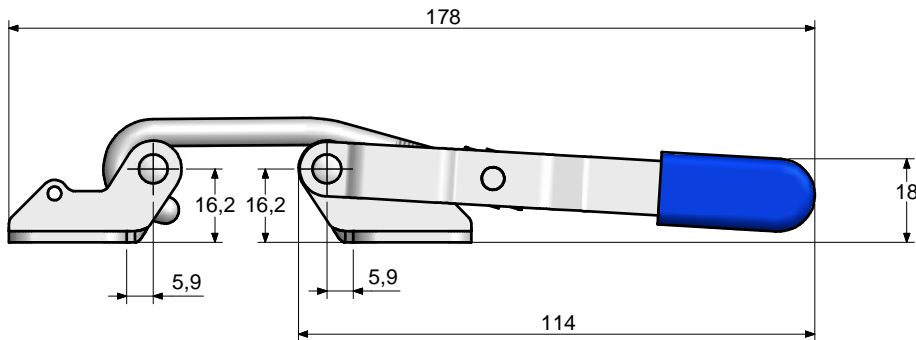
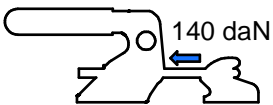
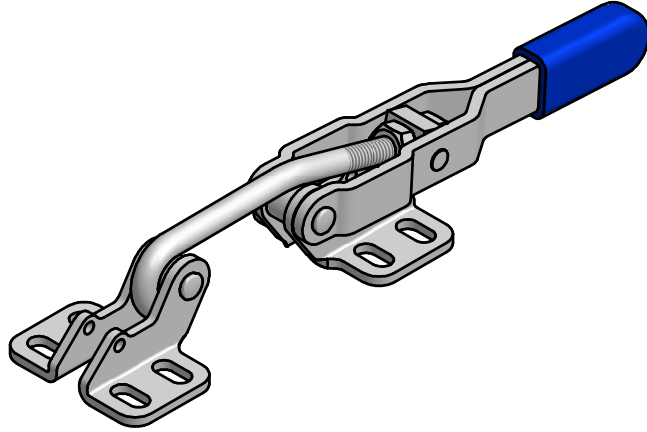


HOOK CLAMP

HC01



Material: Heavy gauge steel
Finish: Zinc Plated
Supplied with: Hook, Latch plate
Max holding force: 190daN
Weight: 0.13Kgs
Clamping pressure:



HC01SS
Stainless steel
option available