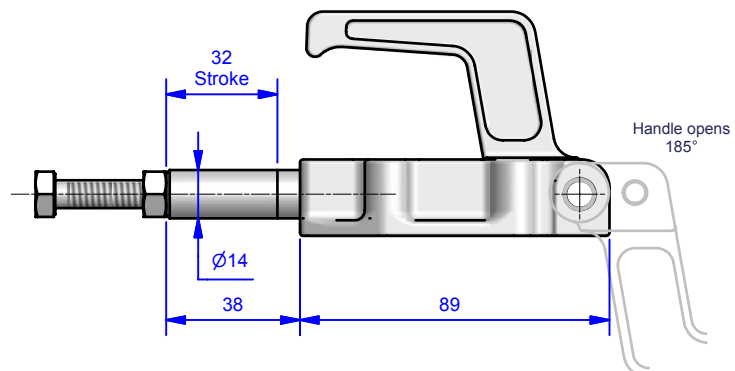
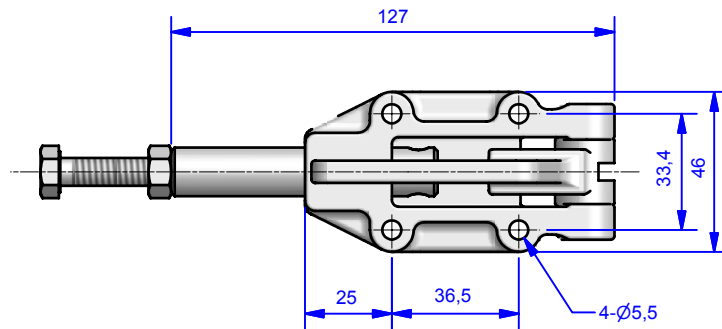
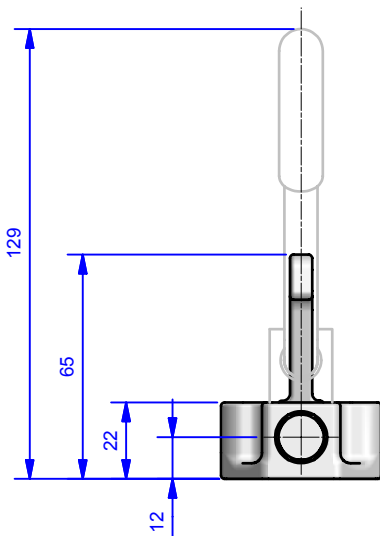
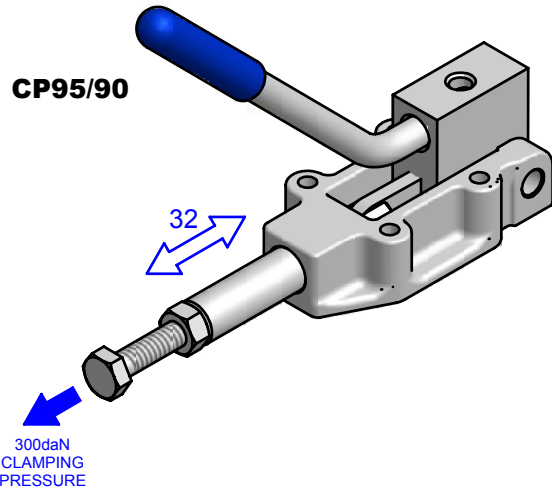
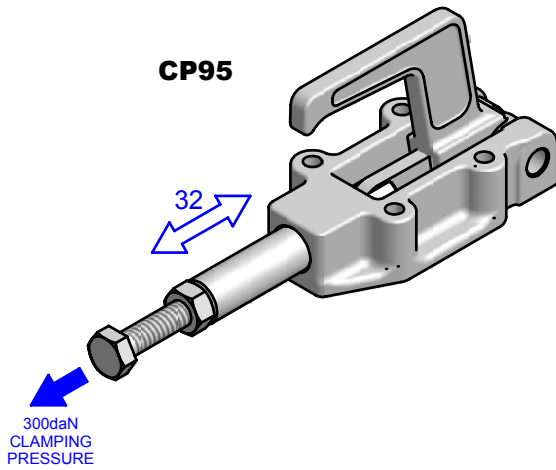


PLUNGER ACTION

CP95



Material: Heavy gauge steel
 Hardened pins and bushes
Finishing Chemi blacked
Supplied with: 8x65mm spindle
Max Holding pressure: 600daN
Weight: 0.48kg - CP95
 0.48kg - CP95/90



Refer to accessory pages for further information