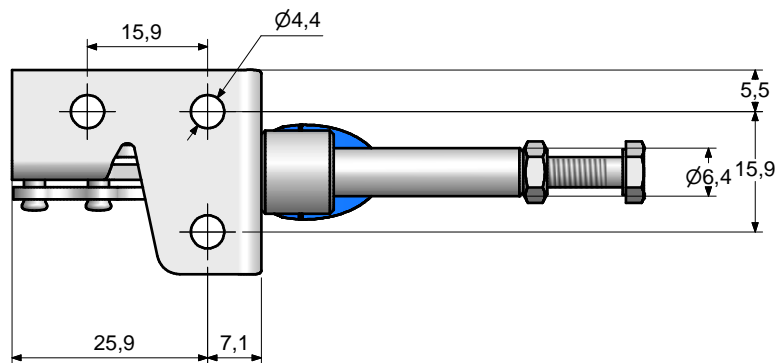
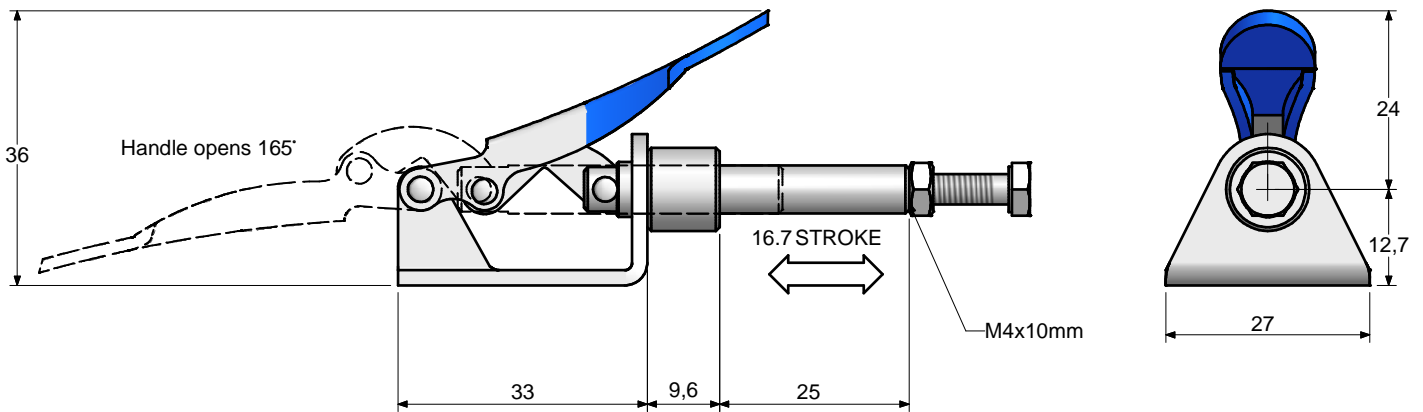
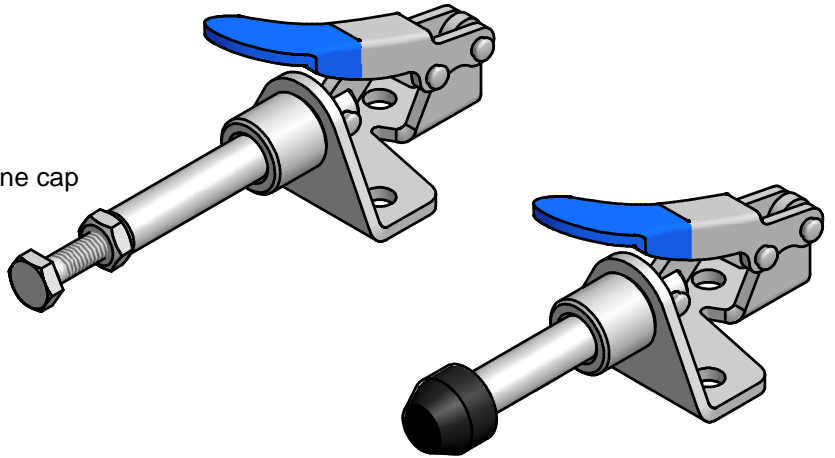
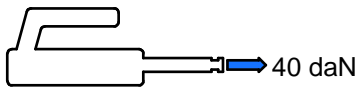


# PLUNGER ACTION

## CP14



**Material:** Heavy gauge steel  
**Finish:** Zinc plated  
**Supplied with:** M4x20mm spindle and neoprene cap  
**Max holding force:** 45daN  
**Weight:** 0.05Kgs  
**Stroke:** 16.7mm  
**Clamping pressure:**



**CP14 SS**  
**Sainless steel**  
**option available**