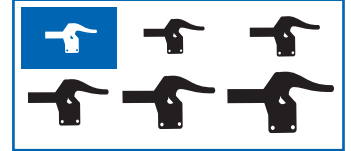


# HORIZONTAL ACTION

MINI  
CLAMPS

MH1U/BU



**Material:** Heavy gauge steel  
Stainless steel pins and bushes

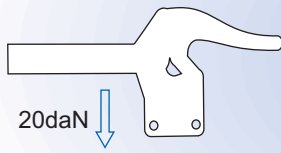
**Finishing:** Zinc Plated

**Supplied with:** 4x25mm spindles

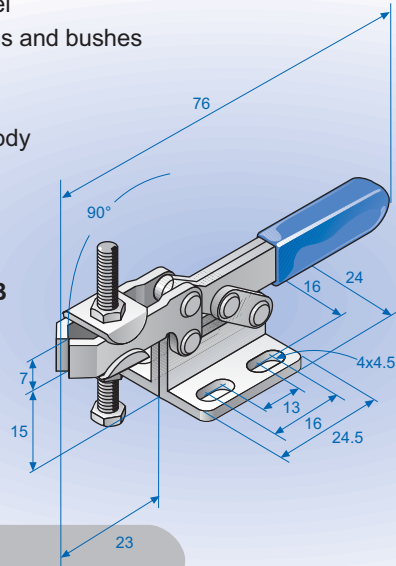
**Max Holding pressure:** 60daN close to body

**Weight:** 0.05Kgs

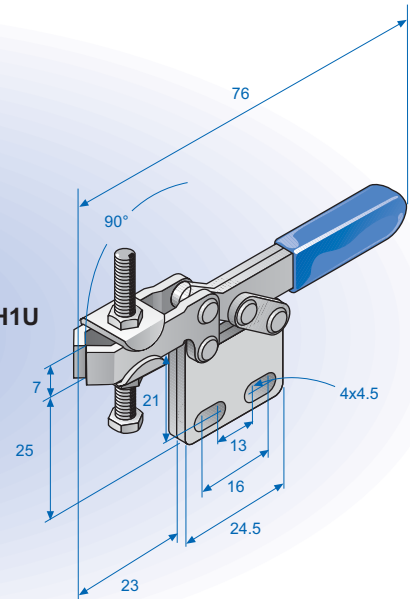
**Clamping pressure:**



MH1UB

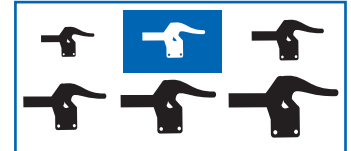


MH1U



ACTUAL SIZE

MH2U/UB



**Material:** Heavy gauge steel  
Stainless steel pins and bushes

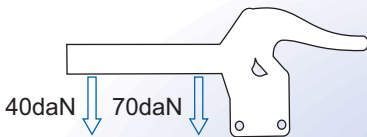
**Finishing:** Zinc Plated

**Supplied with:** 5X30mm spindles

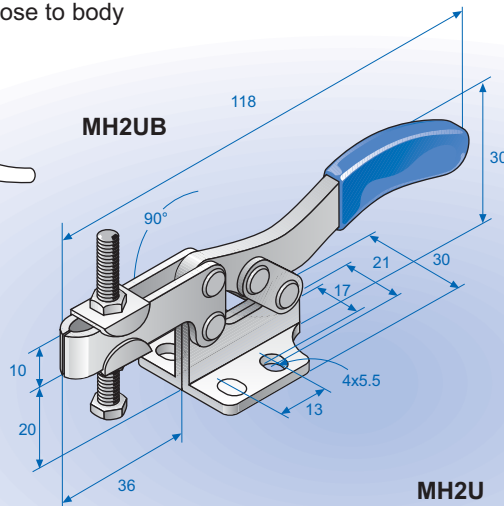
**Holding pressure:** 80daN close to body

**Weight:** 0.1Kgs

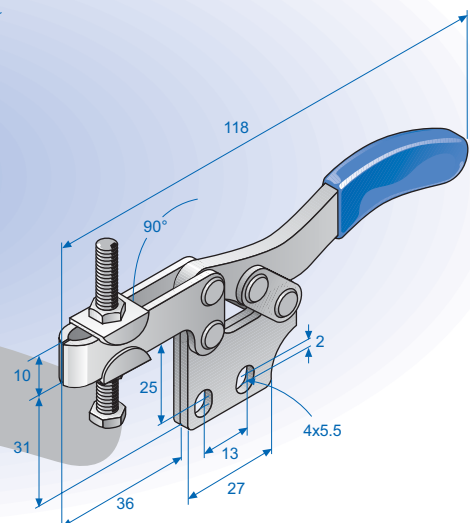
**Clamping pressure:**



MH2UB



MH2U



ACTUAL SIZE

Refer to accessory pages for further information